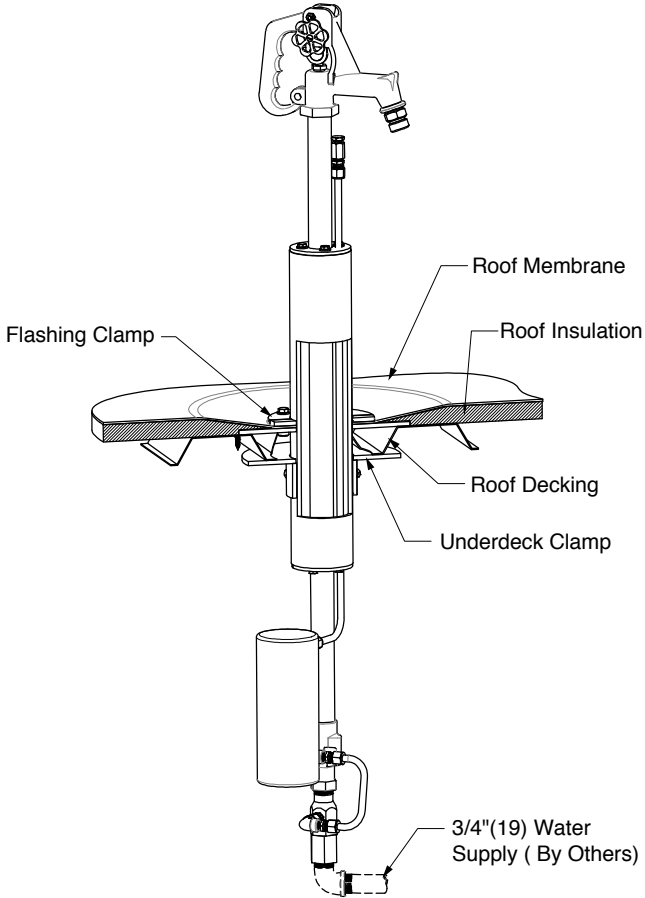
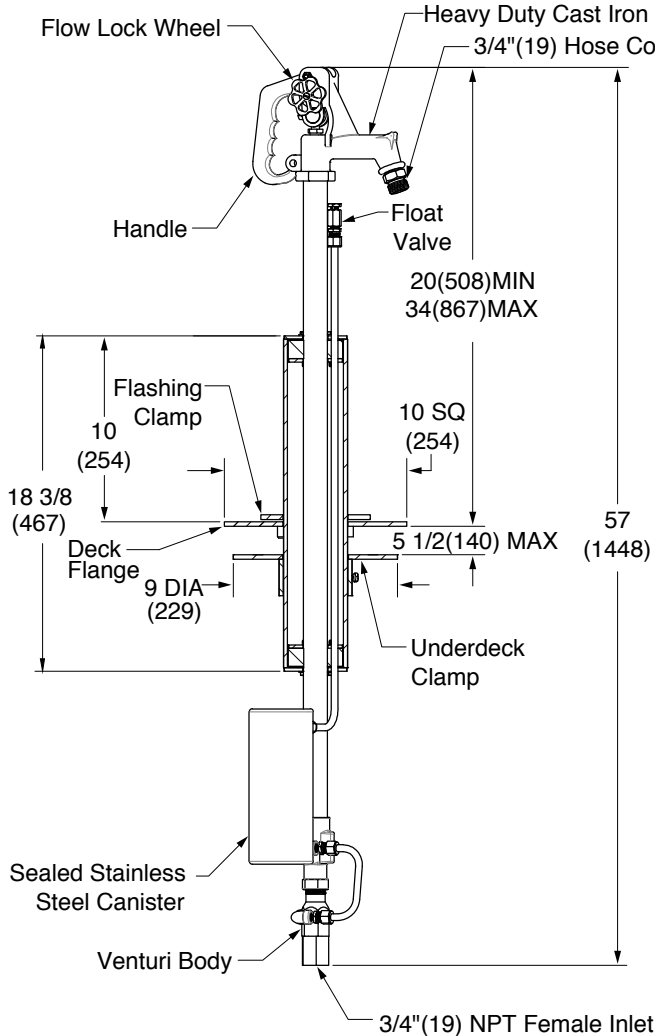


NON-FREEZE SANITARY ROOF HYDRANT

FUNCTION: Used on roofs where water is required for window washing, cleaning of condenser coils, cooling towers and other types of roof equipment. Freezing is prevented by the valve housing being located below the roof in a heated or insulated area. The hydrant is engineered to be fully self contained by draining the water from casing after shut-off into the sealed canister.



Installation Illustration
(For Illustration Purpose Only)

REGULARLY FURNISHED:
 Non-Freeze Sanitary (Self Contained) Roof Hydrant with Galvanized Casing, Adjustable Flow Wheel Lock Handle, Sealed Stainless Steel Canister, Venturi and Roof Mount Assembly.

VARIATIONS:
 Vacuum Breaker -H

- NOTES:**
1. Addition of vacuum breaker will not allow draining of the hydrant casing. Smith is not responsible for any casings that burst or related incidents if the hydrant is supplied with a vacuum breaker.
 2. The AB1953 California Lead Law and NSF/ANSI Standard 61-2008 - Drinking Water system Components are not applicable to Jay R. Smith hydrants as they do not convey/dispense water for human consumption through drinking or cooking.
 3. Do not leave a hose attached in freezing temperatures as it may prevent proper drainage of the casing.
 4. Upon activating, hydrant should be discharged fully open a minimum of 30 seconds.
 5. Minimum operating line pressure should be 25 psi for proper operation.
 6. Dimensions shown in parentheses are in millimeters.
 7. **FOR IRRIGATION PURPOSES ONLY.**

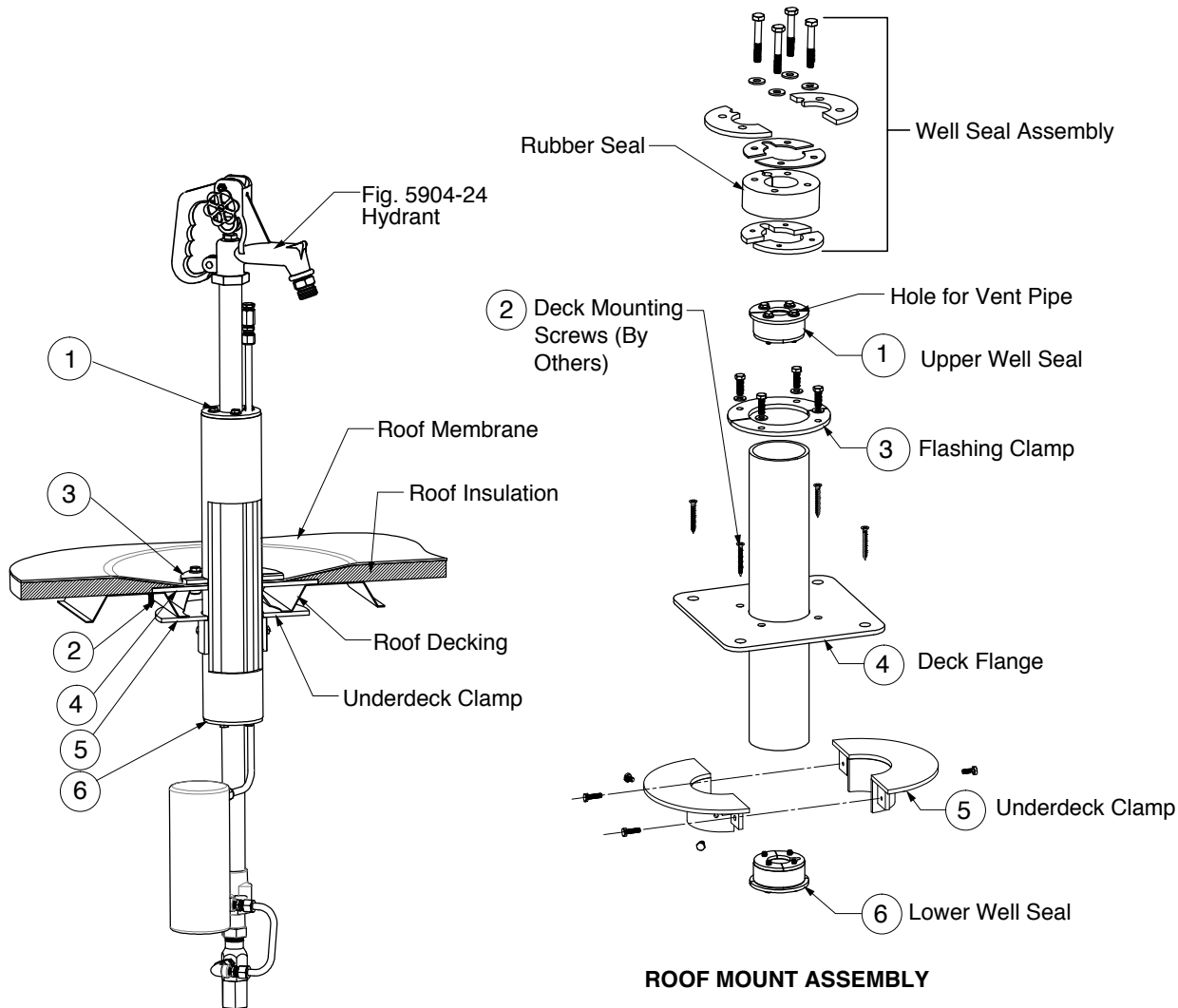
DRAWING NUMBER s5903
 SIZE A
 SCALE: NONE
 DATE: 5-17-12
 APPROVED BY: CR
 CHECKED BY: CL
 DRAWN BY: CL
 DIMENSIONS ARE SUBJECT TO MANUFACTURERS TOLERANCE AND CHANGE WITHOUT NOTICE
 WE CAN ASSUME NO RESPONSIBILITY FOR USE OF SUPERSEDED OR VOID DATA
 FIGURE NUMBER 5903

REV.	DATE	DESCRIPTION	BY	CKD. BY	WEIGHT POUNDS	VOLUME CUBIC FEET	FIGURE NUMBER 5903

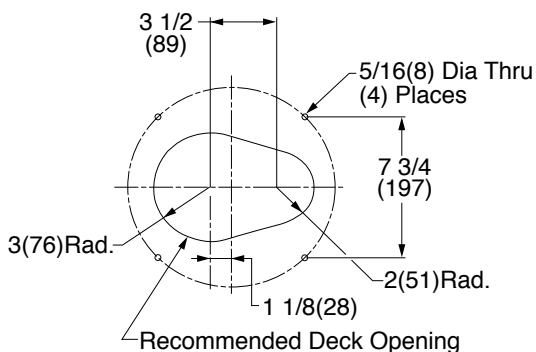
WE CAN ASSUME NO RESPONSIBILITY FOR USE OF SUPERSEDED OR VOID DATA

DIMENSIONS ARE SUBJECT TO MANUFACTURERS TOLERANCE AND CHANGE WITHOUT NOTICE

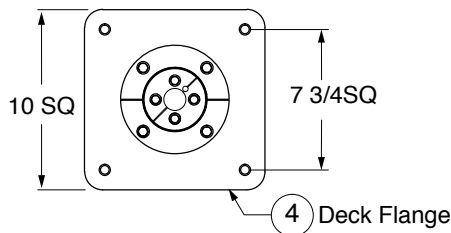
NON-FREEZE SANITARY ROOF HYDRANT



**Installation Illustration
(For Illustration Purpose Only)**



ROOF MOUNT ASSEMBLY



NOTE: Fig.5903 hydrant is comprised of a 5904-24 hydrant and roof mount assembly. For hydrant part information reference the 5904 submittal.

REV.	DATE	DESCRIPTION	BY	CKD. BY
B A	4-30-13 9-20-12	Revised Underdeck Clamp Added Rec. Deck Opening	TBW TBW	CL CL

WEIGHT POUNDS	VOLUME CUBIC FEET

FIGURE NUMBER 5903BS
