

N



JAY R. SMITH MFG. CO.
 MEMBER OF MORRIS GROUP INTERNATIONAL
 POST OFFICE BOX 3237
 MONTGOMERY, ALABAMA 36109-0237 (USA)
 TEL: 334-277-8520 FAX: 334-272-7396 www.jrsmith.com



MEMBER OF:



LOCATION

DRAWING NUMBER
S5909

SIZE
A

SCALE:
NONE

DATE:
9-25-90

APPROVED BY:
CR

CHECKED BY:
BS

DRAWN BY:
EMB

5909

FIGURE NUMBER

WE CAN ASSUME NO RESPONSIBILITY FOR USE OF SUPERSEDED OR VOID DATA

DIMENSIONS ARE SUBJECT TO MANUFACTURERS TOLERANCE AND CHANGE WITHOUT NOTICE

NON-FREEZE POST HYDRANT

FUNCTION: Used where an above ground water outlet is required in areas which are subject to freezing temperatures. Freezing is prevented by burying the valve housing below the frost line and draining water from the casing after shut-off.

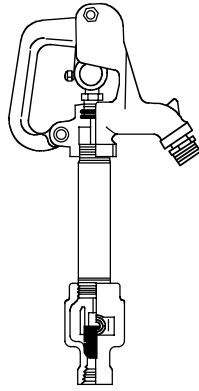
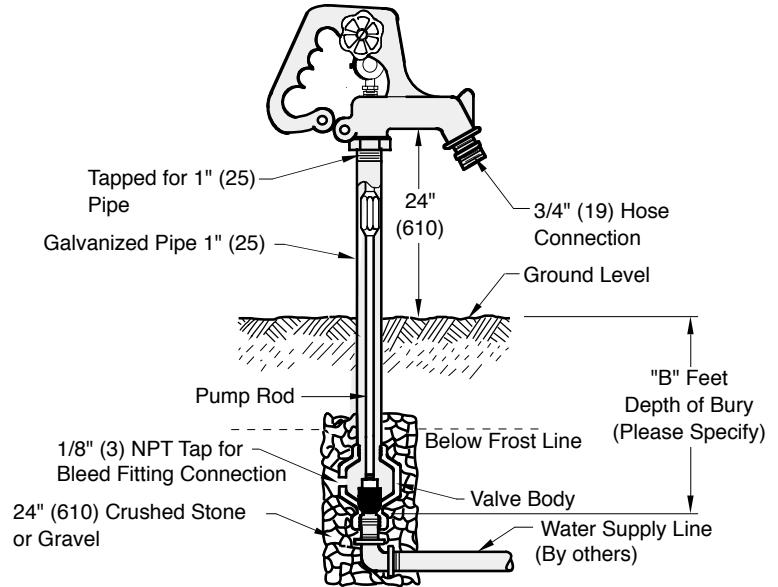
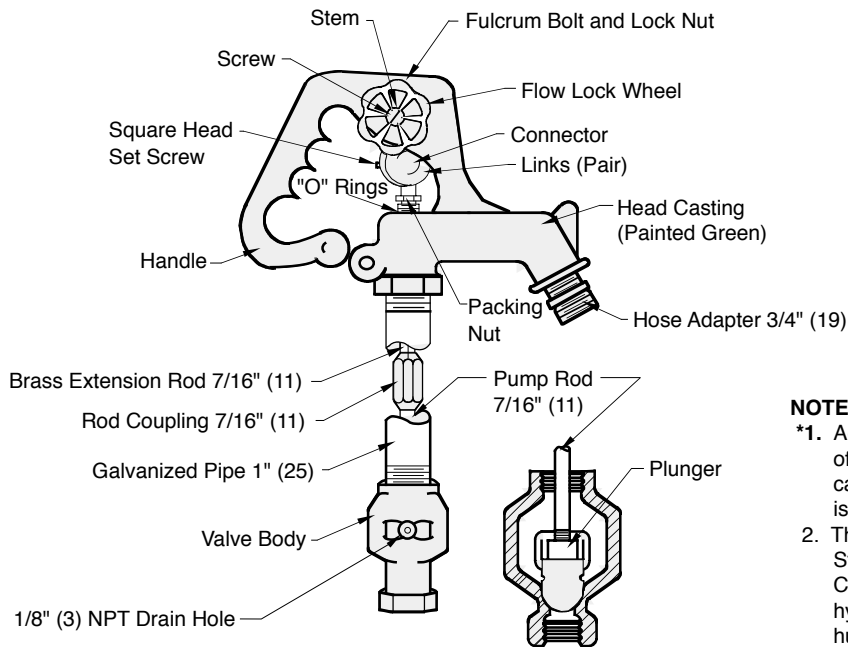


FIG. 5909LF



B (Depth of Bury) = 02(610), 03(915), 04(1220), 05(1525) or 06(1830) Feet



REGULARLY FURNISHED:
 Non-Freeze Post Hydrant with Galvanized Casing and Adjustable Flow Wheel Lock Handle.

- VARIATIONS:**
- Vacuum Breaker -H
 - 1"(25) Hose Connection -HC1
 - 1"(25) Female Inlet Connection -MF-1

NOTE:

- *1. Addition of vacuum breaker will not allow draining of the casing. Smith is not responsible for any casings that burst or related incidents if the hydrant is supplied with a vacuum breaker.
2. The AB1953, California Lead Law, and NSF/ANSI Standard 61-2008 - Drinking Water System Components are not applicable to Jay R. Smith hydrants as they do not convey/dispense water for human consumption through drinking or cooking.
3. Dimensions shown in parentheses are in millimeters.



Certified by Truesdail Laboratories. Meets all Federal and state Safe Drinking Water Acts and requirements.

NSF/ANSI 372

N	10-5-17	Revised Note	TBW	CL	WEIGHT	VOLUME	FIGURE NUMBER
M	1-9-15	Revised Callout	TBW	CL	POUNDS	CUBIC FEET	5909 (5900LF SERIES)
L	1-21-14	Added Truesdail Note	TBW	JM			
K	2-6-13	Revised Notes	TBW	CL			
REV.	DATE	DESCRIPTION	BY	CKD. BY			



WARNING: Cancer and Reproductive Harm - www.P65Warnings.ca.gov