

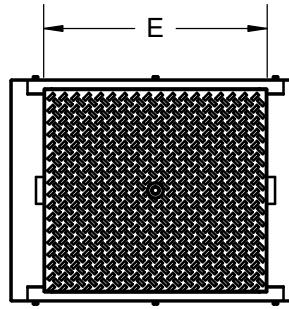
SPECIFICATION:

JOSAM 60100H-ET SERIES EPOXY COATED FABRICATED STEEL GREASE INTERCEPTOR, DEEP ROUGHING FLUSH-WITH-FLOOR TYPE, NO-HUB CONNECTIONS, INTERNAL TRAP, REMOVABLE DIFFUSER BAFFLE, GASKETED NON-SKID COVER, FLOW CONTROL FITTING, PDI SEAL OF APPROVAL AND STEEL ENCLOSURE CABINET WITH NON-SKID COVER AND ADJUSTABLE INTERCEPTOR CARRIERS BRACKETS.

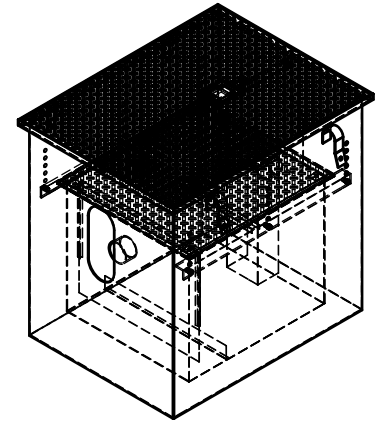
**GREASE INTERCEPTOR
MANUAL ENCLOSED TYPE**

SERIES **60100H-ET**

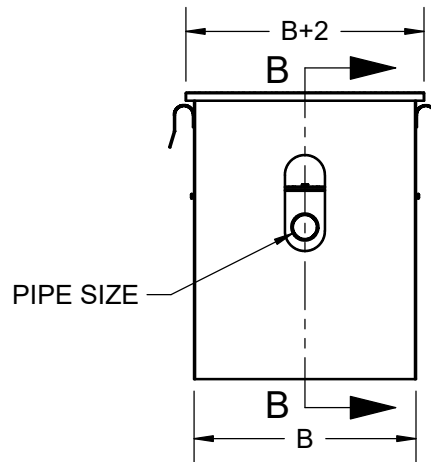
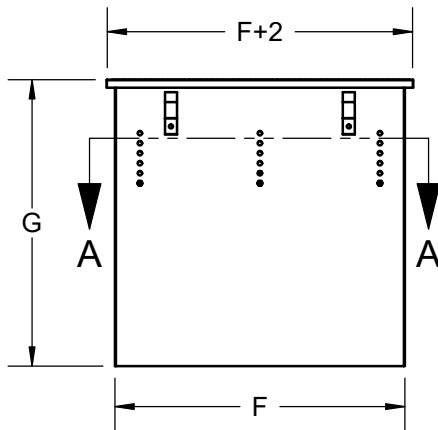
CONFORMS TO PLUMBING AND DRAINAGE INSTITUTE STANDARDS PDI-G101



SECTION A-A
SCALE 1 : 24



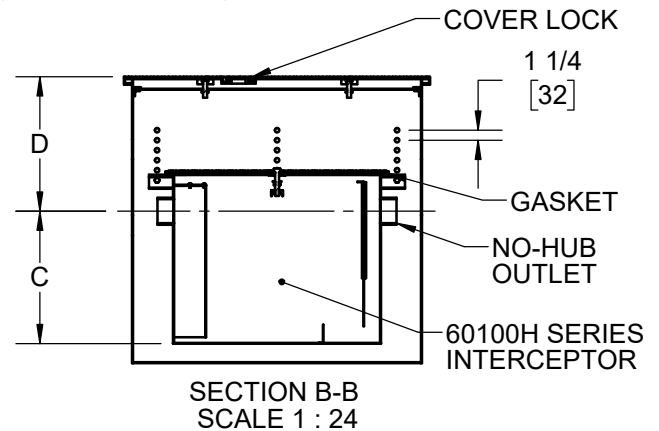
RECESSED LIFTING RING



NOTE:
INTERCEPTOR SUPPORT BRACKETS ADJUSTABLE FOR VARYING DEPTHS OF FLOOR CONSTRUCTION

* DIMENSIONS BASED ON INTERCEPTOR IN POSITION #6
SUBTRACT 1-1/4" PER EACH SUCCEEDING HIGHER POSITION

	-EGOLD	ELECTRONIC GREASE/OIL LEVEL DETECTOR
	-40	COVER RECESS FOR FLOOR FINISH
	-61	FLANGE AND CLAMP DEVICE
	-85	ENZYMATIC PORT IN COVER
	-ISI	INTEGRATED SOLIDS INTERCEPTOR
X	-ET	ENCLOSED TYPE
	-HD	HEAVY-DUTY COVER



SECTION B-B
SCALE 1 : 24

TYPE	FLOW RATE	CAP (LBS)	PIPE SIZE	B	C	D*	E	F	G
60102H-ET	7	14	2	15	8-1/4	8-3/4	14-7/8	23	25-3/4
60103H-ET	10	20	2	16-1/2	8-1/2	8-3/4	16-5/8	24-3/4	26
60104H-ET	15	30	2	19	9-1/2	8-3/4	20-3/8	28-1/2	27
60105H-ET	20	40	3	21	12	10-1/4	20-7/8	29	31
60106H-ET	25	50	3	23-1/2	13	10-1/4	23-3/8	31-1/2	32
60107H-ET	35	70	3	25	14-1/2	10-1/4	26-1/8	34-1/4	33-1/2
60108H-ET	50	100	3	27-1/2	16-1/2	10-1/4	27-7/8	36	35-1/2
60109H-ET	75	150	3	33	21	11-3/8	41	49-1/8	41-1/8
60110H-ET	100	200	4	37	23	13-3/8	47	55-1/8	45-1/8

DATE OF LAST CHANGE: 06/12/18

DIMENSIONS ARE SUBJECT TO MANUFACTURERS TOLERANCES AND CHANGE WITHOUT NOTICE. WE CAN ASSUME NO RESPONSIBILITY FOR USE OF SUPERSEDED OR VOID DATA.



MICHIGAN CITY, INDIANA

NOTES

WARNING: Cancer and Reproductive Harm - www.P65Warnings.ca.gov