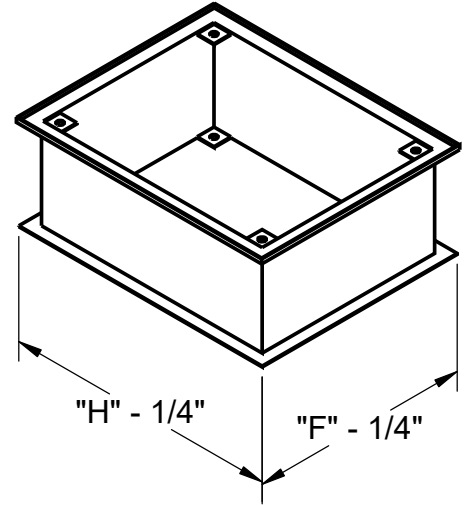
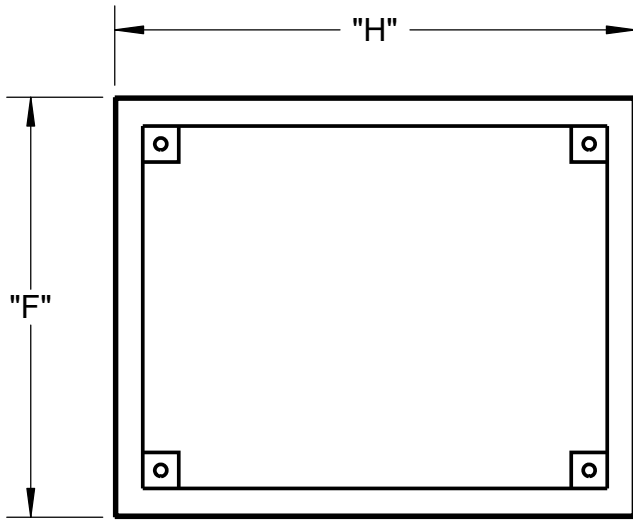


SPECIFICATION:

JOSAM -BXT OPTION BOLT-ON EXTENSION FOR 60210A INTERCEPTORS, EPOXY COATED STEEL INSIDE AND OUTSIDE, WITH GASKET FOR NON-SKID INTERCEPTOR COVER. (USE COVER SHIPPED WITH 60210A INTERCEPTOR)

**GREASE INTERCEPTOR
BOLT-ON EXTENSION**

SERIES **60210A-BXT**



-BXT ONLY EXTENDS MAIN INTERCEPTOR BOX.

PIPE PROVIDED TO EXTEND TRAP LEG ACCESS TO SURFACE.

"A"
SPECIFY
HEIGHT

	MODEL	"A" SPECIFY HT.	"H"	"F"
	60213A-BXT		53	39
	60214A-BXT		58	42
	60215A-BXT		63	46
	60216A-BXT		71	52
	60217A-BXT		82	59

WARNING: Cancer and Reproductive Harm - www.P65Warnings.ca.gov

DATE OF LAST CHANGE: 06/15/18

DIMENSIONS ARE SUBJECT TO MANUFACTURERS TOLERANCES AND CHANGE WITHOUT NOTICE. WE CAN ASSUME NO RESPONSIBILITY FOR USE OF SUPERSEDED OR VOID DATA.



MICHIGAN CITY, INDIANA

NOTES