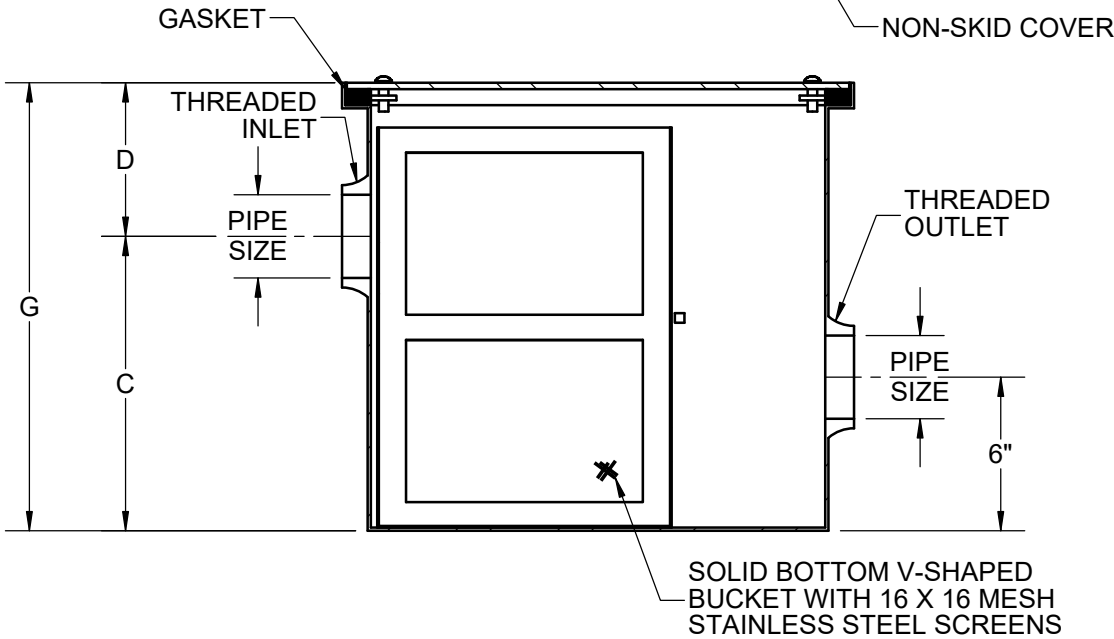
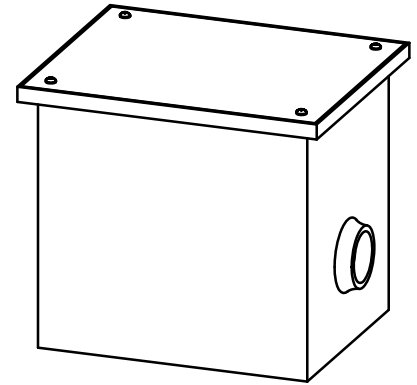
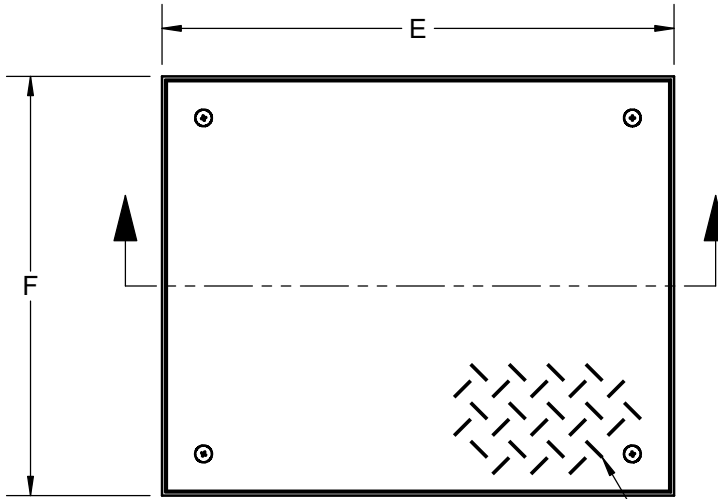


SPECIFICATION:

JOSAM 61800 SERIES LINT INTERCEPTOR WITH ACID RESISTANT COATING, NON SKID COVER, GALVANIZED STEEL BUCKET WITH STAINLESS STEEL SCREENS AND THREADED CONNECTIONS.

**SOLIDS INTERCEPTOR
LINT TRAP**

SERIES **61800**



	TYPE NO.	FLOW RATE (GPM)	MAX NO. OF WASHERS	PIPE SIZE	C	D	E	F	G
	61804	30	3	2	13	3	17	17	16
	61805	70	7	3	12	6	20	17	18
	61806	200	20	4	14	6	22	18	20
	61807	300	30	6	16	6	25	20	22
	61808	400	40	6	18	6	29	22	24

-EXT EXTENSION 6" STANDARD, OR SPECIFY HEIGHT SPECIFY DIMENSIONS "D" _____ AND "G" _____

* WILL INCREASE ACCORDINGLY WITH NEW "D" DIMENSION

WARNING: Cancer and Reproductive Harm - www.P65Warnings.ca.gov

DATE OF LAST CHANGE: 04/22/19
 DIMENSIONS ARE SUBJECT TO MANUFACTURERS TOLERANCES AND CHANGE WITHOUT NOTICE. WE CAN ASSUME NO RESPONSIBILITY FOR USE OF SUPERSEDED OR VOID DATA.



NOTES