

SPECIFICATION:

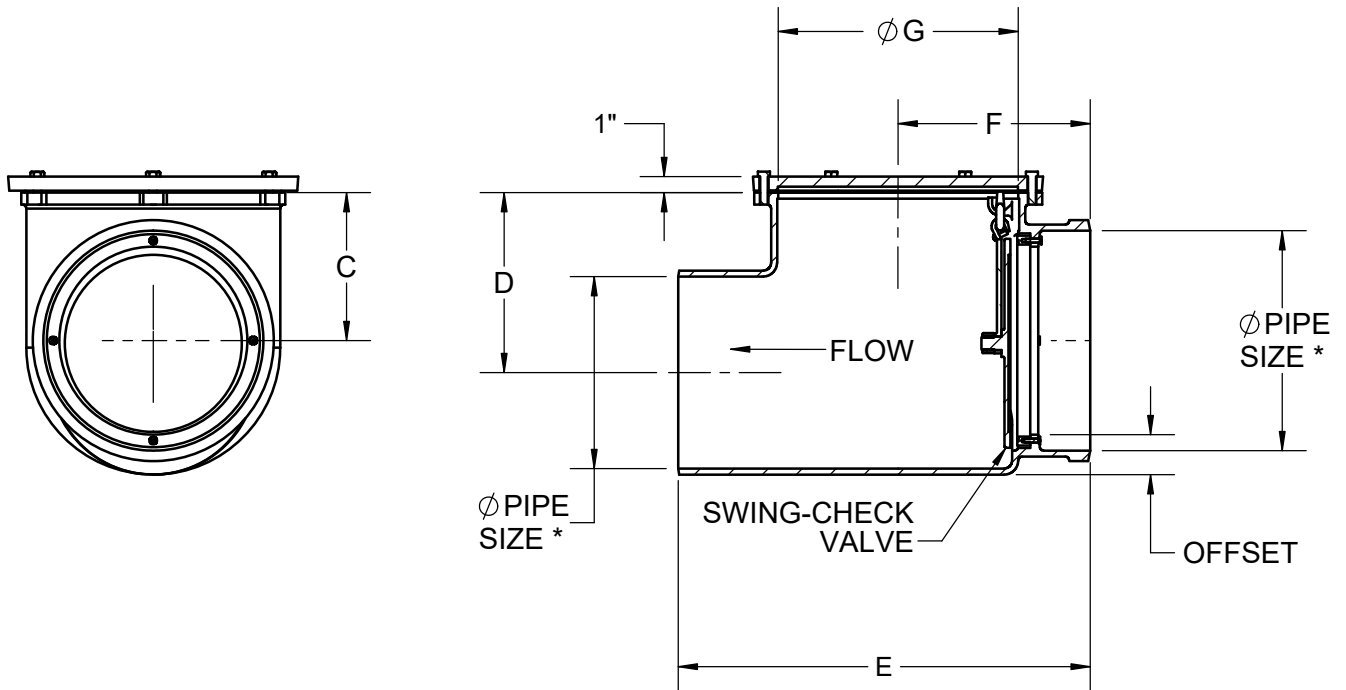
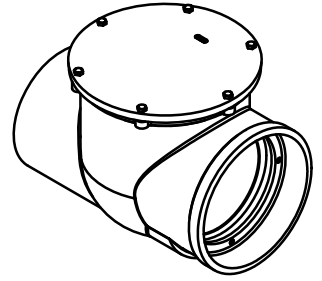
JOSAM 67600 SERIES COATED CAST IRON BACKWATER VALVE, OFFSET TYPE, BRONZE FIXED SWING-CHECK ASSEMBLY, BOLTED GASKETED COVER AND HUB & SPIGOT CONNECTIONS.

**BACKWATER VALVE
HUB & SPIGOT SWING-CHECK**

SERIES **67600**

NOTE: SWING-CHECK VALVE NORMALLY HANGS IN CLOSED POSITION BUT CAN BE SET TO HANG OPEN BY SPECIFYING (-15) OPEN FLAP OPTION.

BOLTED COVER, OFFSET TYPE



* HUB & SPIGOT DIMENSIONS ARE IN ACCORDANCE WITH E.H.C.I. SOIL PIPE STANDARD.

-15	OPEN FLAP
-----	-----------

PIPE SIZE	OFFSET	C	D	E	F	G
10"	2	8-1/2	10-1/2	23	10-1/2	13
12"	2	9-1/4	11-1/4	25-3/4	12	15

WARNING: Cancer and Reproductive Harm - www.P65Warnings.ca.gov

DATE OF LAST CHANGE: 05/23/18

DIMENSIONS ARE SUBJECT TO MANUFACTURERS TOLERANCES AND CHANGE WITHOUT NOTICE. WE CAN ASSUME NO RESPONSIBILITY FOR USE OF SUPERSEDED OR VOID DATA.

JOSAM
MICHIGAN CITY, INDIANA

NOTES