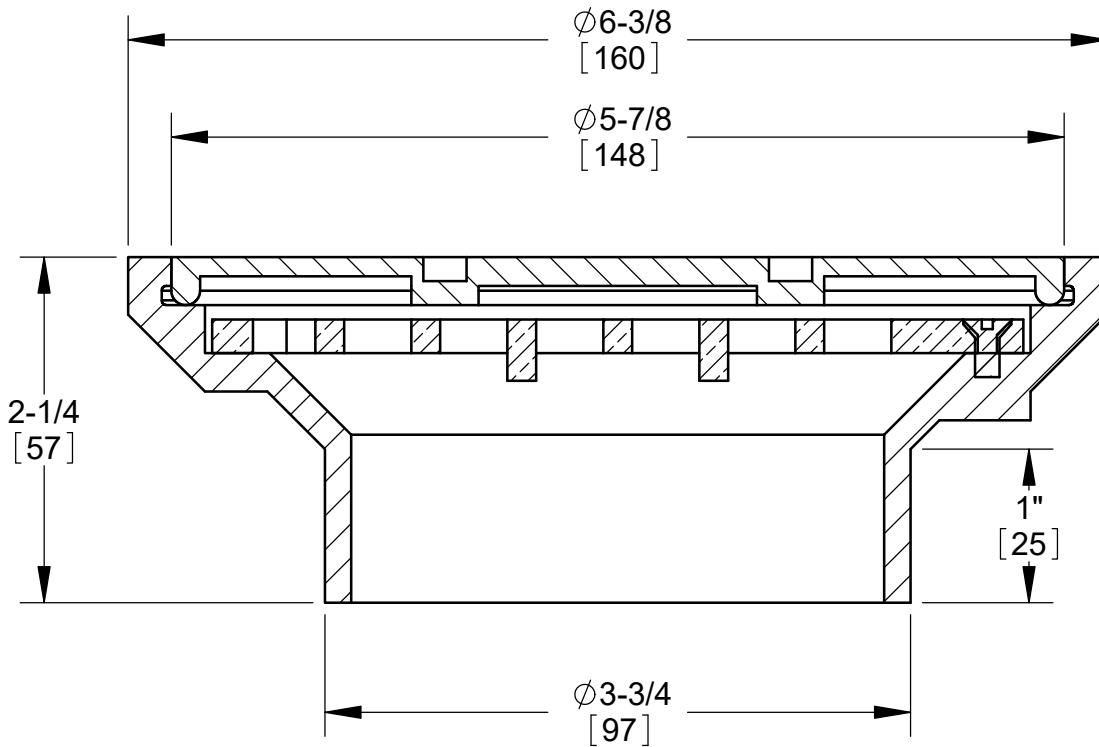
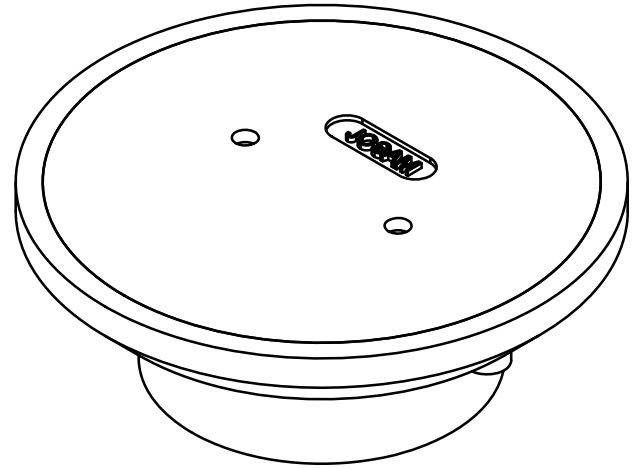


SPECIFICATION:

JOSAM SERIES "F" ADJUSTABLE SATIN FINISH NIKALOY ROUND STRAINER WITH SOLID THREADED COVER AND INTERNAL GRATE, THREADED WITH JOSAM ADJUSTABLE STRAINER THREAD.

**FLOOR DRAIN
ADJUSTABLE STRAINER**

SERIES **F**



	STRAINER	FREE AREA		
X	-6F	6.2		
			-TSI	TRAP SEAL INSERT
	-2	BRONZE ADJUSTABLE STRAINER	-80	PERFORATED STAINLESS STEEL BASKET
	-63	SPANNER WRENCH	-J	BACKWATER VALVE

DATE OF LAST CHANGE: 03/13/19

DIMENSIONS ARE SUBJECT TO MANUFACTURERS TOLERANCES AND CHANGE WITHOUT NOTICE. WE CAN ASSUME NO RESPONSIBILITY FOR USE OF SUPERSEDED OR VOID DATA.



MICHIGAN CITY, INDIANA

NOTES