

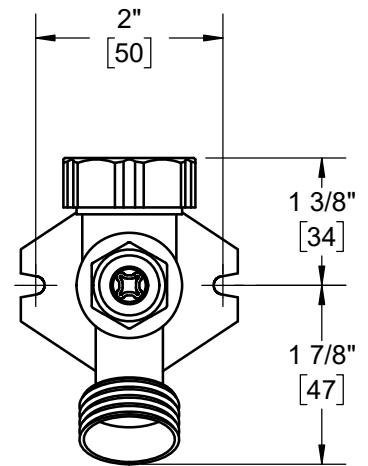
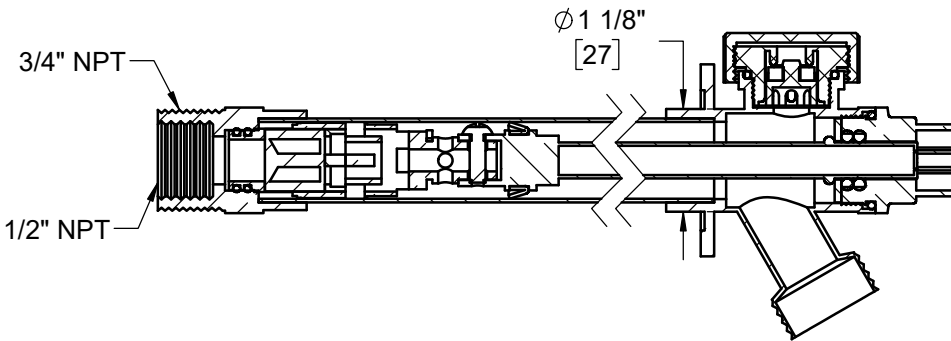
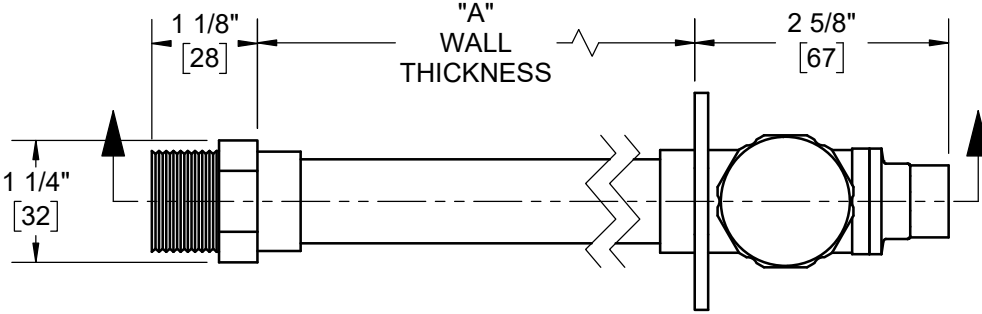
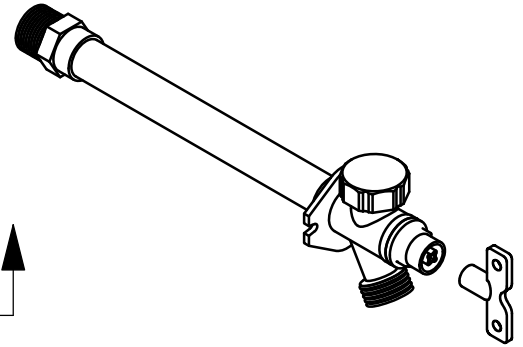
**SPECIFICATION:**

JOSAM SERIES 71350 CHROME-PLATED 1/4-TURN HYDRANT/SILL-COCK, 3/4" HPT OUTLET, INTEGRAL VACUUM BREAKER - BACKFLOW PREVENTER, AND 1/2" OR 3/4" INLET CONNECTION.

**HYDRANT  
1/4 TURN, NON-FREEZE**

SERIES **71350**

APPROVED TO NSF/ANSI 61 FOR USE IN POTABLE WATER SYSTEMS.



STANDARDS:  
NSF/ANSI 61  
NSF/ANSI 372  
ASSE 1019  
ASME A112.18.1

MODEL	A
71350-MC-QTR	3 [76]
71350-4-QTR	4 [102]
71350-6-QTR	6 [152]
71350-8-QTR	8 [203]
71350-10-QTR	10 [254]
71350-12-QTR	12 [305]
71350-14-QTR	14 [356]

OPTIONS:

-72	WALL CLAMP
-74	UNION ELBOW ASSY
-81	HOSE BIBB VACUUM BREAKER
-91	1" HOSE PIPE THREADED OUTLET

WARNING: Cancer and Reproductive Harm - www.P65Warnings.ca.gov

DATE OF LAST CHANGE: 01/03/19

DIMENSIONS ARE SUBJECT TO MANUFACTURERS TOLERANCES AND CHANGE WITHOUT NOTICE. WE CAN ASSUME NO RESPONSIBILITY FOR USE OF SUPERSEDED OR VOID DATA.

**JOSAM**  
MICHIGAN CITY, INDIANA

NOTES