

C

SMITH® JAY R. SMITH MFG. CO.®
 MEMBER OF MORRIS GROUP INTERNATIONAL
 POST OFFICE BOX 3237
 MONTGOMERY, ALABAMA 36109-0237 (USA)
 TEL: 334-277-8520 FAX: 334-272-7396 www.jrsmith.com



LOCATION

DRAWING NUMBER
S7230

SIZE
A

SCALE:
NONE

DATE:
5-18-83

APPROVED BY:
SJM

CHECKED BY:
DT

DRAWN BY:
BS

7230,7231,7232

FIGURE NUMBER

WE CAN ASSUME NO RESPONSIBILITY FOR USE OF SUPERSEDED OR VOID DATA

DIMENSIONS ARE SUBJECT TO MANUFACTURERS TOLERANCE AND CHANGE WITHOUT NOTICE

TRAPS

DEEP SEAL TRAP WITH FLOOR CLEANOUT

FUNCTION: Provides the protection of an independent "deep seal" cast iron trap when used in conjunction with bottom outlet drains. Integral hub at crown of the trap permits the installation of a suitable floor level cleanout.

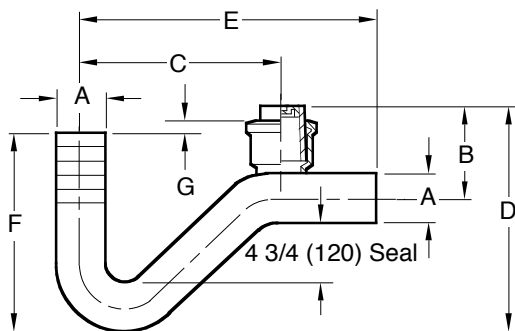


Fig. 7230S ... SPIGOT OUTLET SIZED FOR SERVICE WEIGHT AND/OR NO-HUB

Adjustable Housing With Tractor Cover

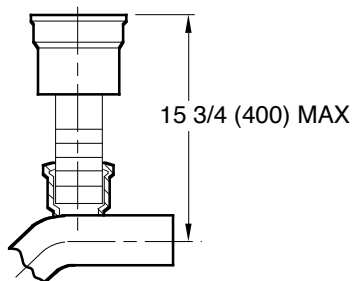


Fig. 7231S ... WITH ADJUSTABLE HOUSING FERRULE

Extension Ferrule With Cleanout Plug

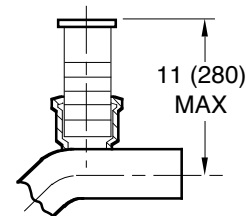


Fig. 7232S ... WITH CUT-OFF RING CLEANOUT FERRULE

A SIZE	B	C	D	E	F	G
02 (50)	6 (150)	11 (280)	13 3/4 (350)	16 1/2 (420)	12 1/2 (320)	1/4 (6)
03 (80)	7 3/4 (195)	14 1/2 (370)	15 3/4 (400)	21 3/4 (550)	14 (355)	3/4 (19)
04 (100)	8 1/2 (215)	14 1/2 (370)	18 1/2 (470)	21 1/2 (545)	16 (405)	1 1/4 (32)

NOTE: Dimensions shown in parentheses are in millimeters.

REGULARLY FURNISHED:
 Duco Cast Iron Body and Ferrule with Bronze Cleanout Plug.

VARIATIONS:
 Less Hub, Ferrule and Cleanout Plug (Specify Fig. 7234)

OPTIONAL MATERIALS:
 Galvanized Cast Iron -G

REV.	DATE	DESCRIPTION	BY	CKD. BY	WEIGHT POUNDS	VOLUME CUBIC FEET	FIGURE NUMBER
							7230,7231,7232