

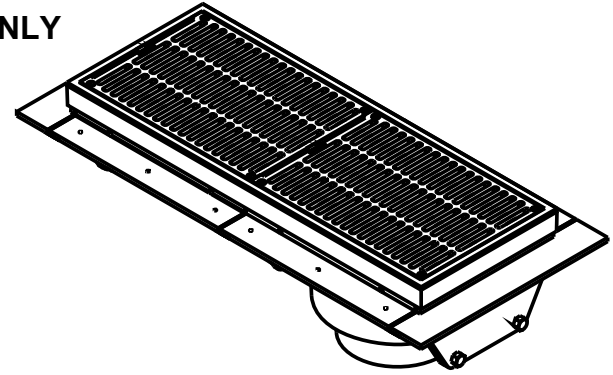
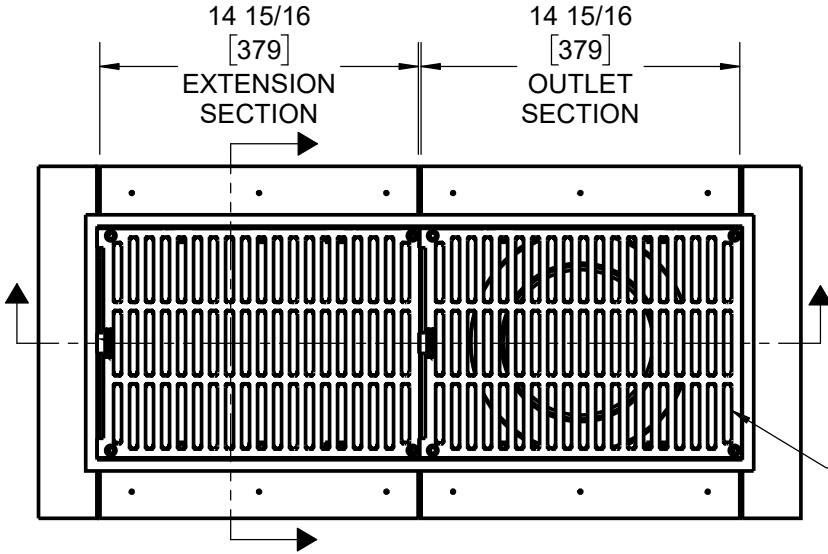
**SPECIFICATION:**

JOSAM 76010-1 SERIES COATED CAST IRON RECTANGULAR SECTIONAL TRENCH DRAIN WITH HEAVY-DUTY BODY SECTIONS AND INTEGRAL ANCHOR FLANGE, SATIN FINISH NIKALOY TOP GRATES,

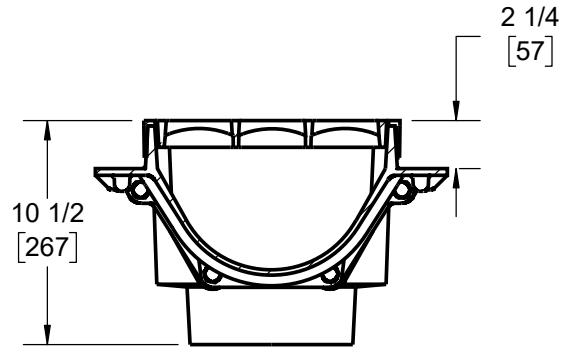
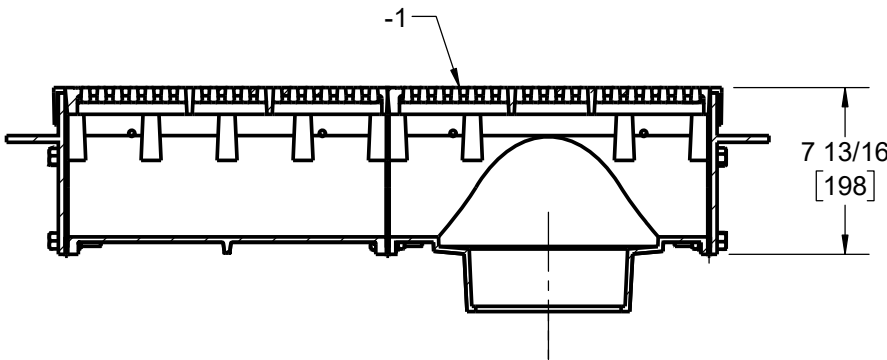
**TRENCH DRAIN**  
12" WIDE, RECTANGULAR

SERIES **76010-1**

**ASSEMBLY SHOWN AS EXAMPLE ONLY**



SLOT WIDTH 3 1/16" X 3/8"  
GRATE FREE AREA = 66.1 IN<sup>2</sup>



X	-1	SATIN FINISH NIKALOY TOP
---	----	--------------------------

SEE 76010 SUBMITTAL FOR ALL OPTIONS AND FURTHER DETAILS

WARNING: Cancer and Reproductive Harm - www.P65Warnings.ca.gov

DATE OF LAST CHANGE: 01/08/20

DIMENSIONS ARE SUBJECT TO MANUFACTURERS TOLERANCES AND CHANGE WITHOUT NOTICE. WE CAN ASSUME NO RESPONSIBILITY FOR USE OF SUPERSEDED OR VOID DATA.

**JOSAM**  
MICHIGAN CITY, INDIANA

NOTES