

**SPECIFICATION:**

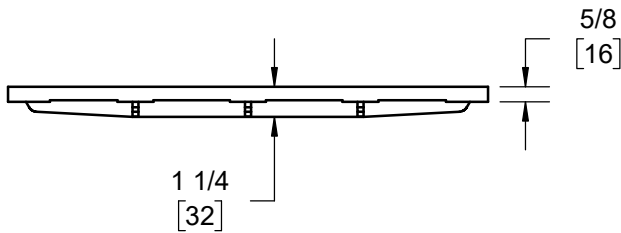
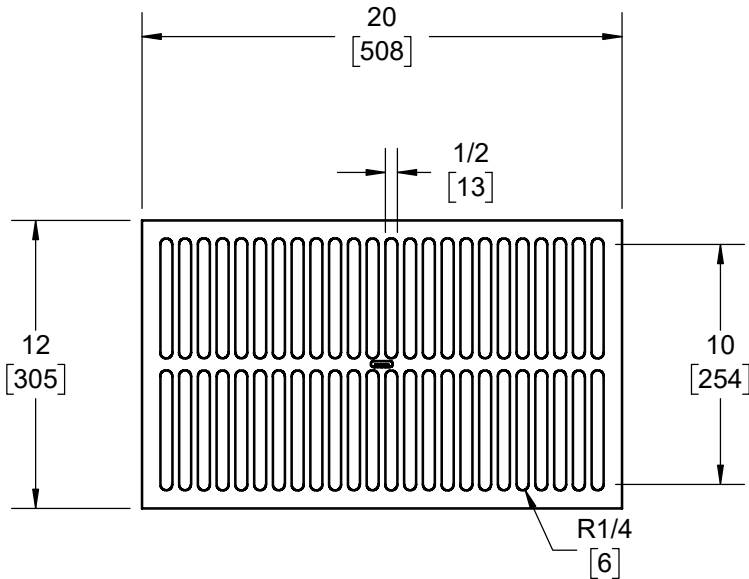
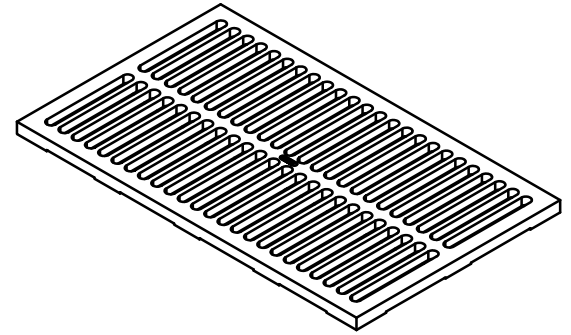
JOSAM 76300 SERIES COATED CAST IRON 12" x 20" RECTANGULAR LIGHT-DUTY SECTIONAL TRENCH GRATE.

**TRENCH DRAIN  
LIGHT-DUTY RECTANGULAR**

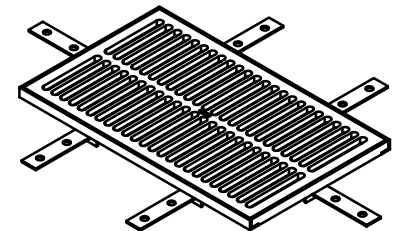
SERIES **76300**

SLOT WIDTH 5" x 1/2" - MEETS ADA

(-1 & -8-2 SLOT WIDTH 3-1/4" x 5/16")  
MEETS ADA AND HEEL PROOF



-1	SATIN FINISH NIKALOY GRATE
-7	DUCTILE IRON GRATE
-8-2	ALL BRONZE WITH SATIN FINISH TOP
-VP	SECURED GRATE, VANDAL-PROOF SCREWS
-40	GALVANIZED



GRATE ASSEMBLY AND  
OPTIONS ARE LISTED  
ON SEPARATE SUBMITTAL

WARNING: Cancer and Reproductive Harm - www.P65Warnings.ca.gov

DATE OF LAST CHANGE: 09/18/19

DIMENSIONS ARE SUBJECT TO MANUFACTURERS TOLERANCES AND CHANGE WITHOUT NOTICE. WE CAN ASSUME NO RESPONSIBILITY FOR USE OF SUPERSEDED OR VOID DATA.

**JOSAM**  
MICHIGAN CITY, INDIANA

NOTES