

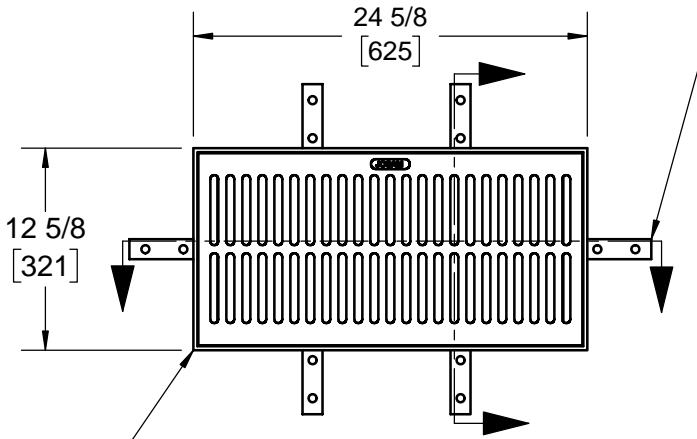
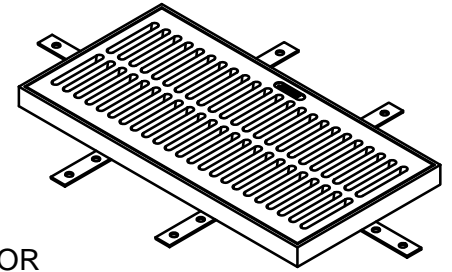
**SPECIFICATION:**

JOSAM 76500 SERIES COATED CAST IRON 12" x 24" RECTANGULAR MEDIUM-DUTY SECTIONAL TRENCH GRATE.

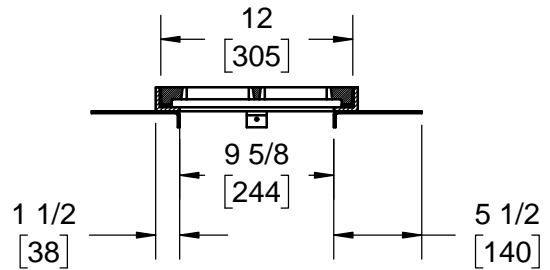
**TRENCH DRAIN  
MEDIUM-DUTY RECTANGULAR**

SERIES **76500**

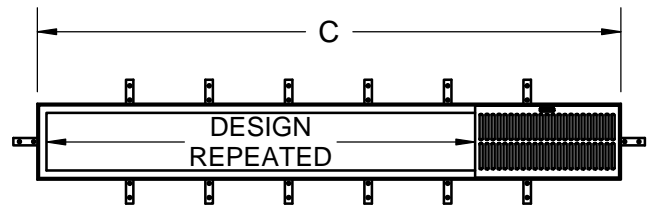
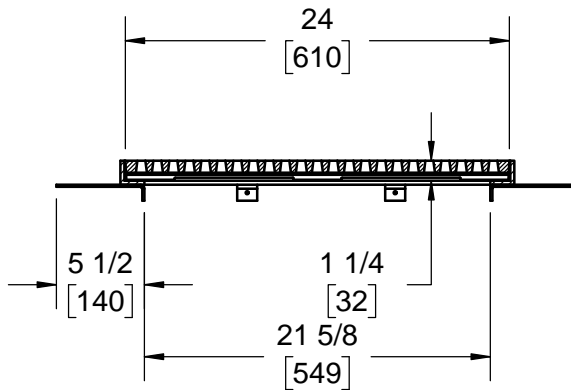
SLOT WIDTH 4-3/8" x 1/2" (-1 & -8-2 SLOT WIDTH 4-3/8" x 1/2")



FLAT BAR ANCHOR AND NAILING CLIP



TYPE 76501 GRATE AND FRAME SHOWN



'C' = (# OF GRATES x 24") + 5/8"  
 INSIDE CHANNEL WIDTH = 'C' - 3"  
 GRATE FREE AREA (EACH) 90 SQ. IN.  
 GRATE ONLY DIMENSIONS = 24" x 12" x 1-1/4"  
 FRAME MADE OF 1-1/2" x 1-1/2" x 1/4" ANGLE

**765\_\_**

(INDICATE ## OF GRATES)

|      |   |
|------|---|
| -1   | SATIN FINISH NIKALOY GRATE, STAINLESS STEEL FRAME |
| -7   | DUCTILE IRON GRATE                                |
| -8-2 | ALL BRONZE WITH SATIN FINISH TOP                  |
| -VP  | SECURED GRATE, VANDAL-PROOF SCREWS                |
| -40  | GALVANIZED  |

WARNING: Cancer and Reproductive Harm - www.P65Warnings.ca.gov

DATE OF LAST CHANGE: 7/03/18

DIMENSIONS ARE SUBJECT TO MANUFACTURERS TOLERANCES AND CHANGE WITHOUT NOTICE. WE CAN ASSUME NO RESPONSIBILITY FOR USE OF SUPERSEDED OR VOID DATA.

**JOSAM**  
MICHIGAN CITY, INDIANA

NOTES