

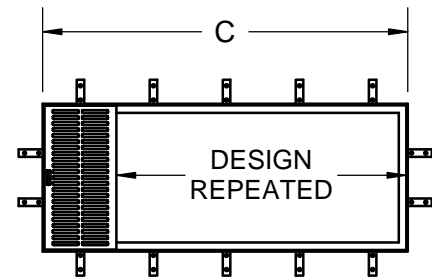
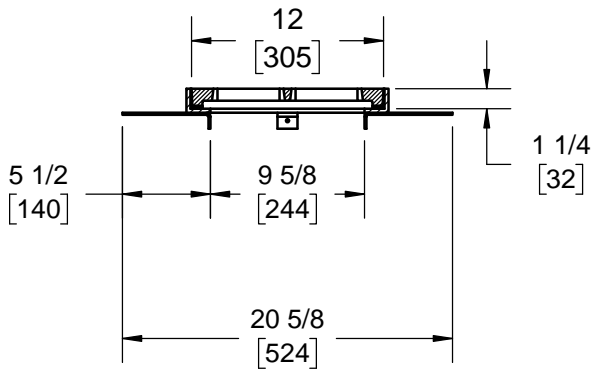
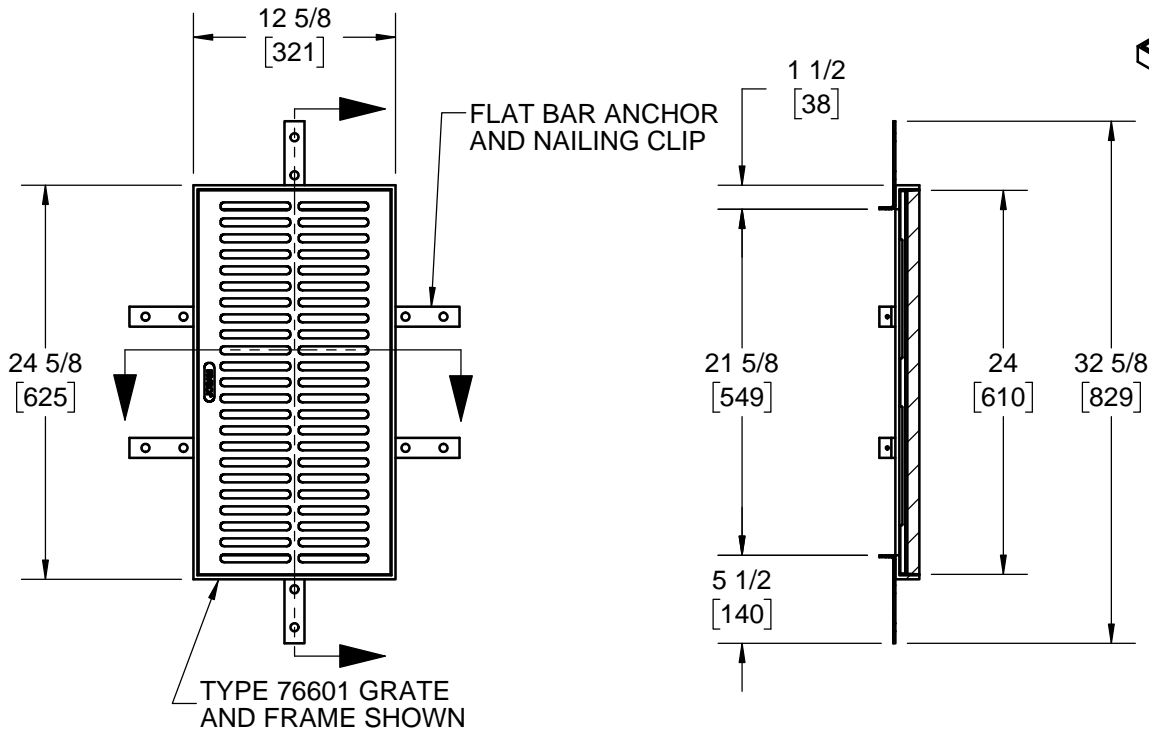
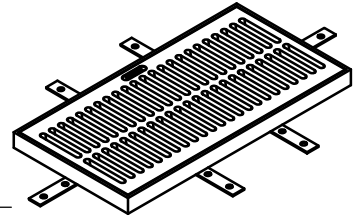
**SPECIFICATION:**

JOSAM 76600 SERIES COATED CAST IRON 12" x 24" RECTANGULAR MEDIUM-DUTY SECTIONAL TRENCH GRATE.

**TRENCH DRAIN**  
MEDIUM-DUTY RECTANGULAR

SERIES **76600**

SLOT WIDTH 4-3/8" x 1/2" (-1 & -8-2 SLOT WIDTH 4-3/8" x 1/2")



'C' = (# OF GRATES x 12") + 5/8"  
 INSIDE CHANNEL WIDTH = 'C' - 3"  
 GRATE FREE AREA (EACH) 90 SQ. IN.  
 GRATE ONLY DIMENSIONS = 24" x 12" x 1-1/4"  
 FRAME MADE OF 1-1/2" x 1-1/2" x 1/4" ANGLE

**766**\_\_

(INDICATE ## OF GRATES)

-1	SATIN FINISH NIKALOY GRATE, STAINLESS STEEL FRAME
-7	DUCTILE IRON GRATE
-8-2	ALL BRONZE WITH SATIN FINISH TOP
-VP	SECURED GRATE, VANDAL-PROOF SCREWS
-40	GALVANIZED

WARNING: Cancer and Reproductive Harm - www.P65Warnings.ca.gov

DATE OF LAST CHANGE: 7/03/18

DIMENSIONS ARE SUBJECT TO MANUFACTURERS TOLERANCES AND CHANGE WITHOUT NOTICE. WE CAN ASSUME NO RESPONSIBILITY FOR USE OF SUPERSEDED OR VOID DATA.

**JOSAM**  
MICHIGAN CITY, INDIANA

NOTES