

**SPECIFICATION:**

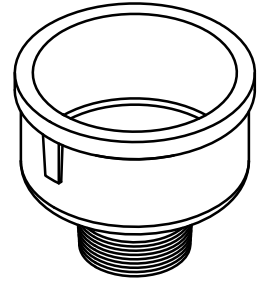
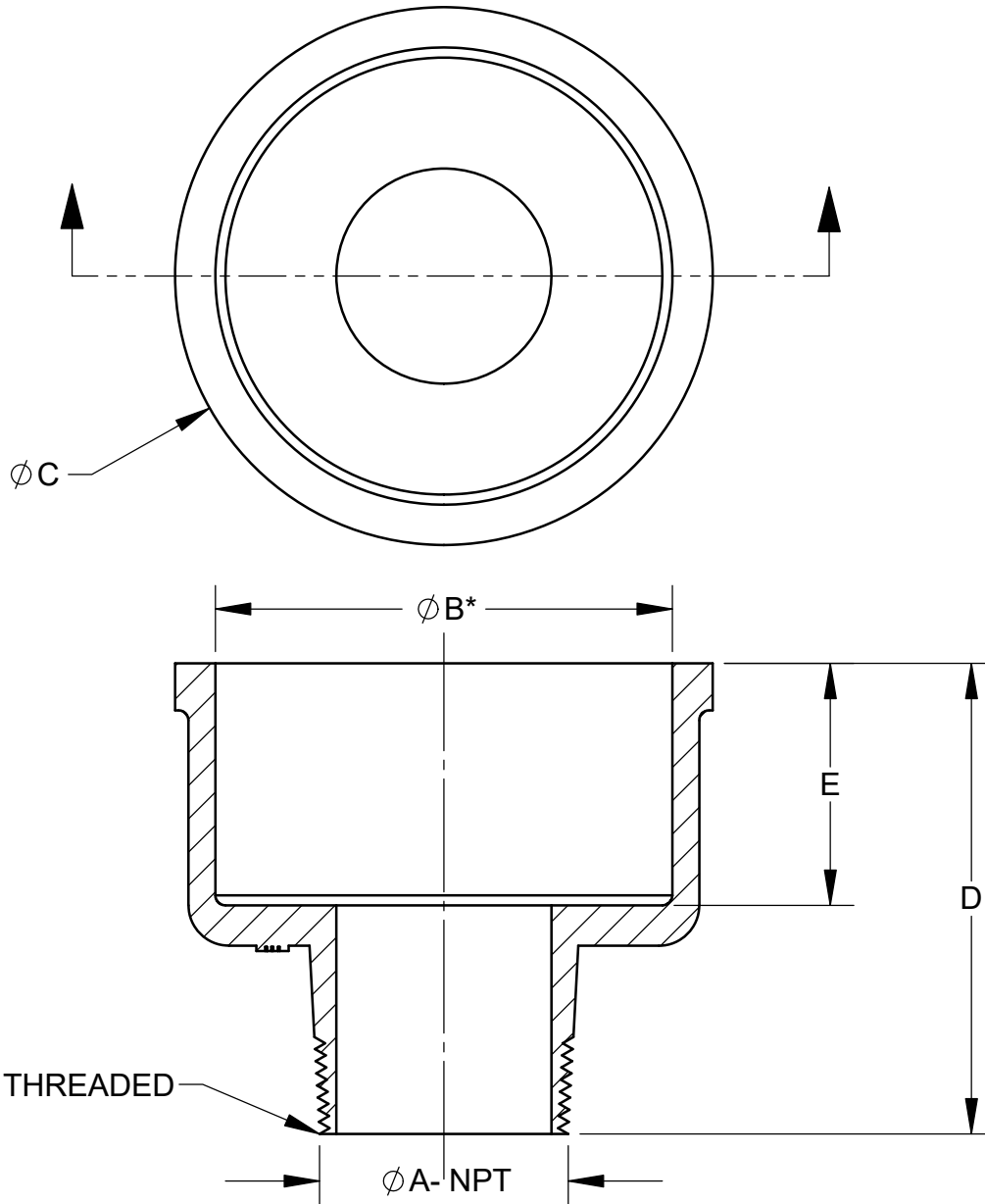
JOSAM 88600 SERIES COATED CAST IRON HUB ADAPTER WITH STANDARD CAST IRON SOIL PIPE HUB AND MALE THREADED OUTLET.

**TRAPS & ACCESSORIES**

**REDUCING HUB ADAPTER**

SERIES

**88600**



| TYPE        | PIPE SIZE OUTLET | PIPE SIZE INLET | A     | B*    | C     | D     | E     |
|-------------|------------------|-----------------|-------|-------|-------|-------|-------|
| 88603-2     | 2"               | 3"              | 2     | 4-1/4 | 5     | 4-3/8 | 2-1/4 |
| 88603-2 1/2 | 2-1/2"           | 3"              | 2-1/2 | 4-1/4 | 4-7/8 | 3-5/8 | 2-1/4 |
| 88604-2     | 2"               | 4"              | 2     | 5-1/4 | 6     | 4-3/8 | 2-1/4 |
| 88604-2 1/2 | 2-1/2"           | 4"              | 2-1/2 | 5-1/4 | 6     | 4-1/4 | 2-1/4 |
| 88604-3     | 3"               | 4"              | 3     | 5-1/4 | 6     | 4-3/8 | 2-1/4 |
| 88606-4     | 4"               | 6"              | 4     | 7-1/4 | 8     | 4-3/8 | 2-1/4 |

\* MEETS ASTM A-74 XH CAST IRON SOIL PIPE STANDARD

-40 GALVANIZED CAST IRON PARTS

WARNING: Cancer and Reproductive Harm - www.P65Warnings.ca.gov

DATE OF LAST CHANGE: 06/28/18

DIMENSIONS ARE SUBJECT TO MANUFACTURERS TOLERANCES AND CHANGE WITHOUT NOTICE. WE CAN ASSUME NO RESPONSIBILITY FOR USE OF SUPERSEDED OR VOID DATA.

**JOSAM**

MICHIGAN CITY, INDIANA

NOTES