

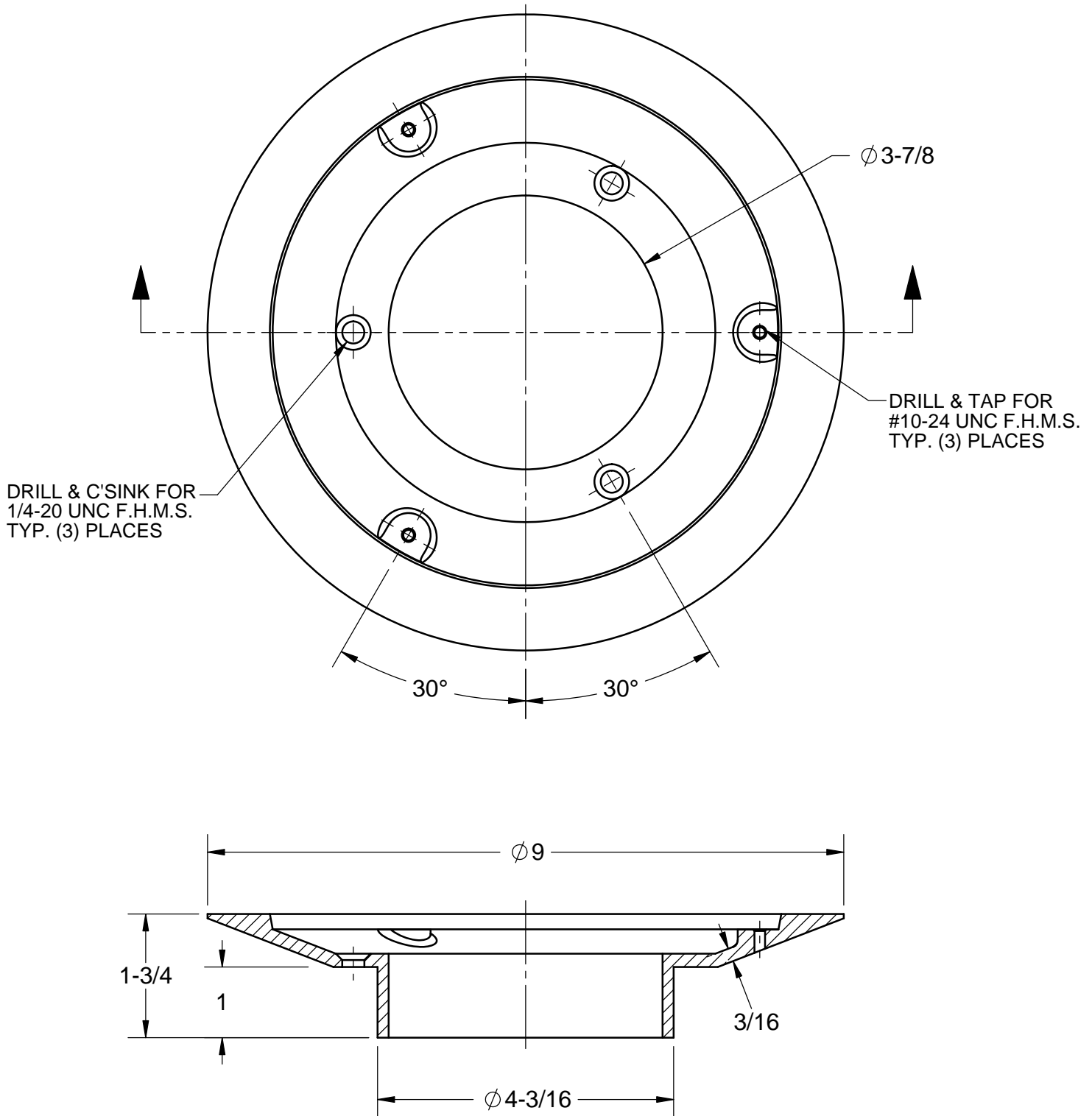
**SPECIFICATION:**

JOSAM SERIES 9AD ROUND NIKALOY STRAINER CLAMP RING

**FLOOR DRAIN  
STRAINER CLAMP RING**

SERIES

**9AD**



DATE OF LAST CHANGE: 9/12/2011

DIMENSIONS ARE SUBJECT TO MANUFACTURERS  
TOLERANCES AND CHANGE WITHOUT NOTICE.  
WE CAN ASSUME NO RESPONSIBILITY FOR  
USE OF SUPERSEDED OR VOID DATA.

**JOSAM COMPANY**  
MICHIGAN CITY, INDIANA

NOTES