

SPECIFICATION:

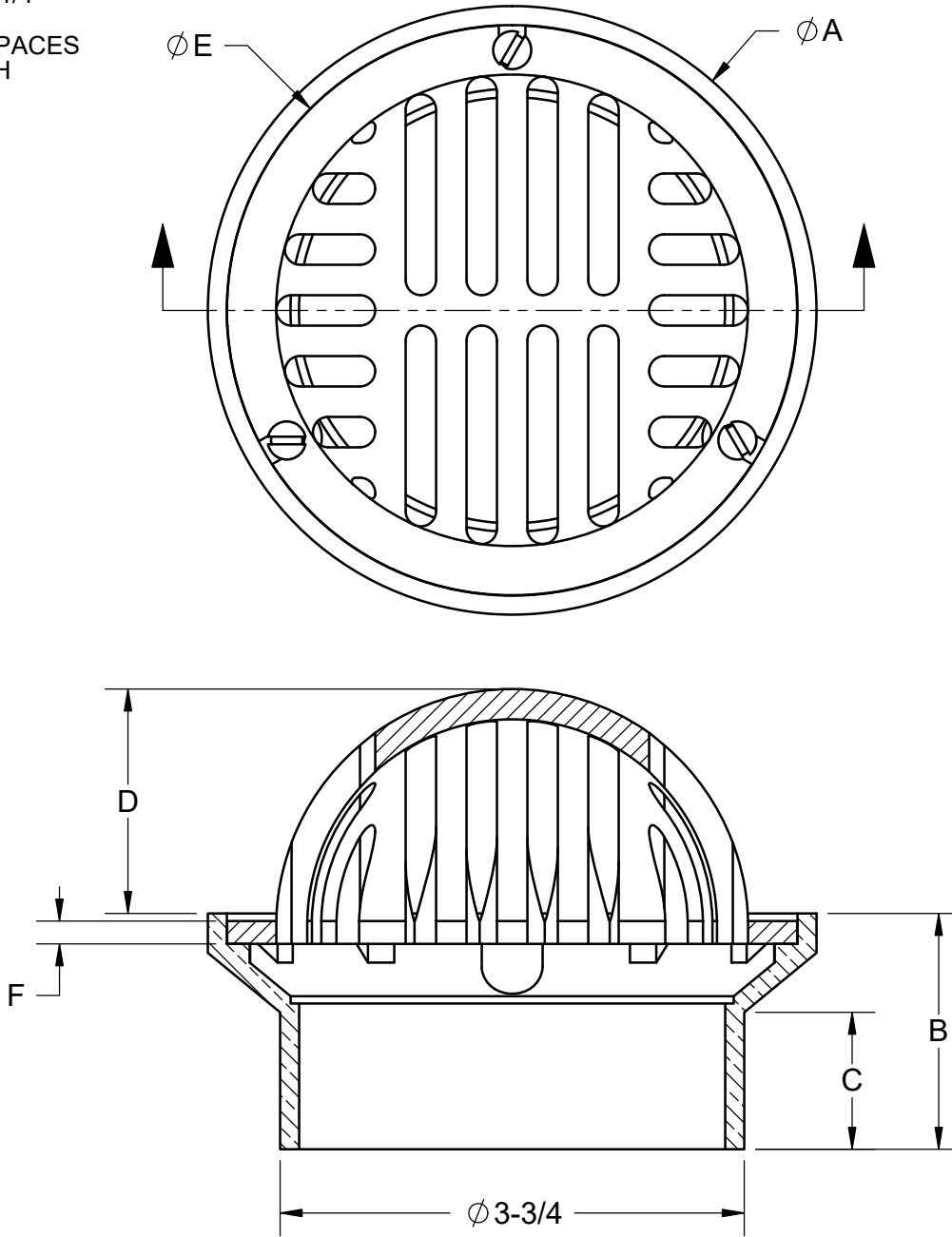
JOSAM SERIES "D" ADJUSTABLE SATIN FINISH NIKALOY ROUND DOMED STRAINER, THREADED WITH JOSAM ADJUSTABLE STRAINER THREAD.

**FLOOR DRAIN
ADJUSTABLE STRAINER**

SERIES **D**

SLOT WIDTH 1/4

ALL RIBS & SPACES
EQUAL WIDTH



	TYPE NO.	A	B	C	D	E	F	FREE AREA	LBS.
	5D	5	1-7/8	1	1-7/8	4-3/4	3/16	8.1	2
	6D	6	2-1/4	1	1-3/4	5-1/4	7/32	8.1	3

WARNING: Cancer and Reproductive Harm - www.P65Warnings.ca.gov

-2	BRONZE ADJUSTABLE STRAINER	-J	BACKWATER VALVE
-80	PERFORATED STAINLESS STEEL BASKET	-VP	SECURED GRATE, VANDAL-PROOF SCREWS
-TSI	TRAP SEAL INSERT		

DATE OF LAST CHANGE: 03/13/19

DIMENSIONS ARE SUBJECT TO MANUFACTURERS TOLERANCES AND CHANGE WITHOUT NOTICE. WE CAN ASSUME NO RESPONSIBILITY FOR USE OF SUPERSEDED OR VOID DATA.

JOSAM
MICHIGAN CITY, INDIANA

NOTES