

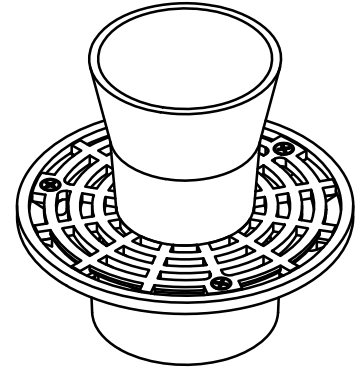
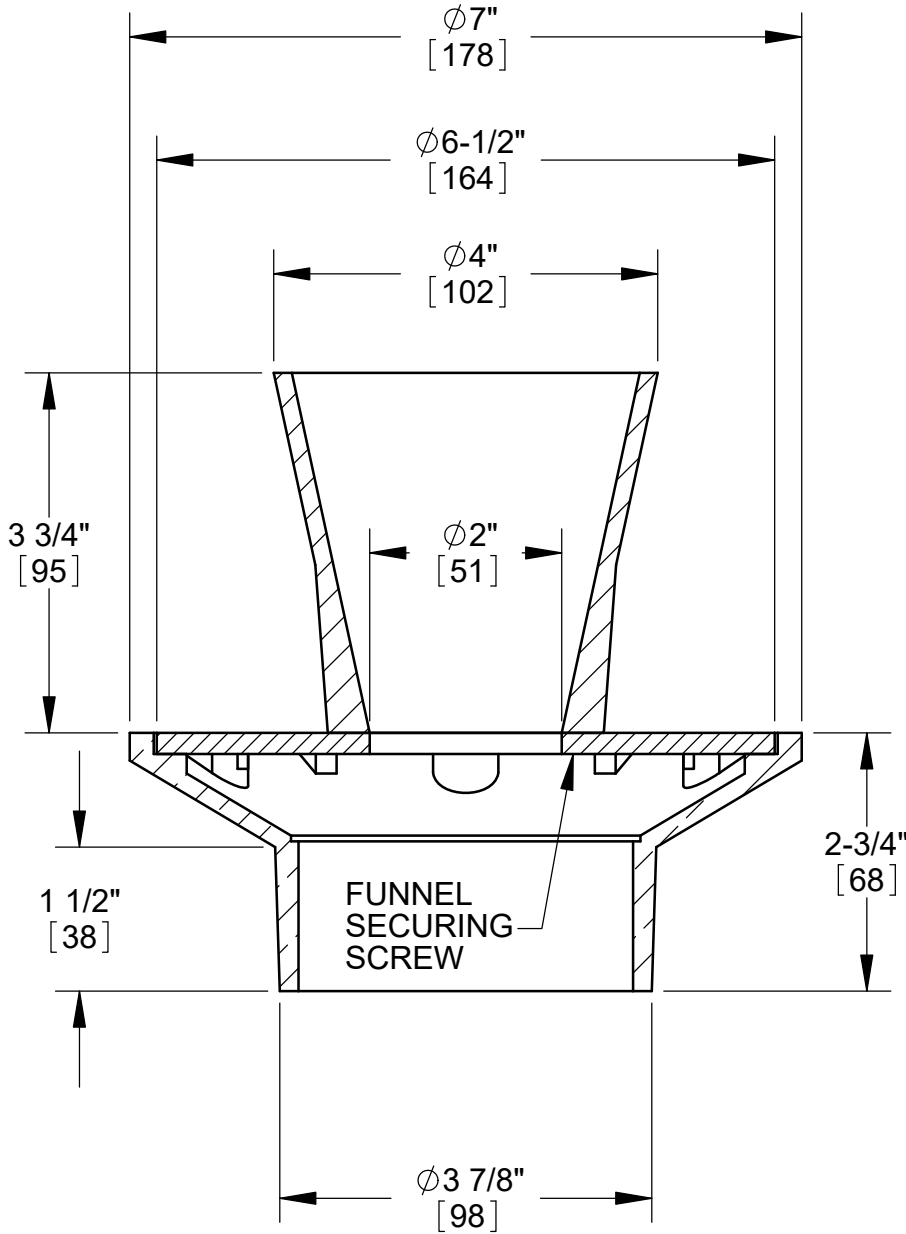
SPECIFICATION:

JOSAM SERIES "E2" ADJUSTABLE SATIN FINISH NIKALOY ROUND SUPER-FLO[®] STRAINER WITH SECURED ROUND FUNNEL, THREADED WITH JOSAM ADJUSTABLE STRAINER THREAD.

**FLOOR DRAIN
ADJUSTABLE STRAINER**

SERIES

E2



WARNING: Cancer and Reproductive Harm - www.P65Warnings.ca.gov

	STRAINER	FREE AREA		
X	7E2	3.3		
	-2	BRONZE ADJUSTABLE STRAINER	-J	BACKWATER VALVE
	-80	PERFORATED STAINLESS STEEL BASKET	-VP	SECURED GRATE, VANDAL-PROOF SCREWS
	-TSI	TRAP SEAL INSERT		

DATE OF LAST CHANGE: 03/13/19

DIMENSIONS ARE SUBJECT TO MANUFACTURERS TOLERANCES AND CHANGE WITHOUT NOTICE. WE CAN ASSUME NO RESPONSIBILITY FOR USE OF SUPERSEDED OR VOID DATA.

JOSAM

MICHIGAN CITY, INDIANA

NOTES