

SPECIFICATION:

JOSAM SERIES FD-210 FLOOR DRAIN WITH PVC BODY, INVERTIBLE CLAMP COLLAR WITH DRAINAGE SLOTS, AND 4" ROUND OR SQUARE ADJUSTABLE CHROME-PLATED BRASS STRAINER.

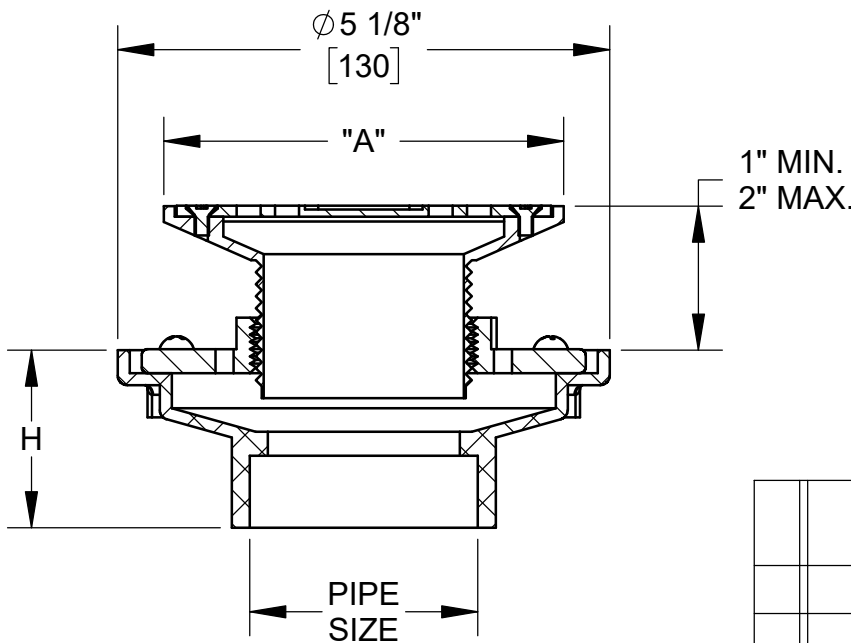
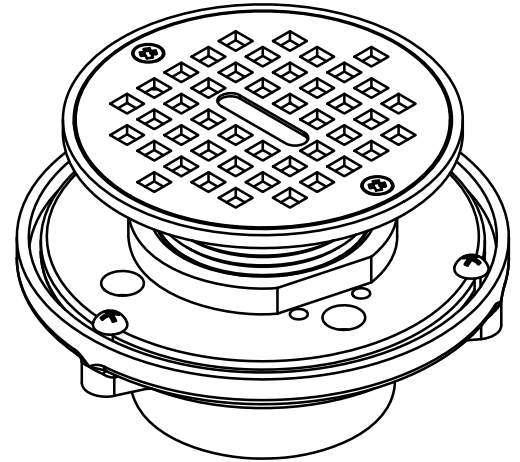
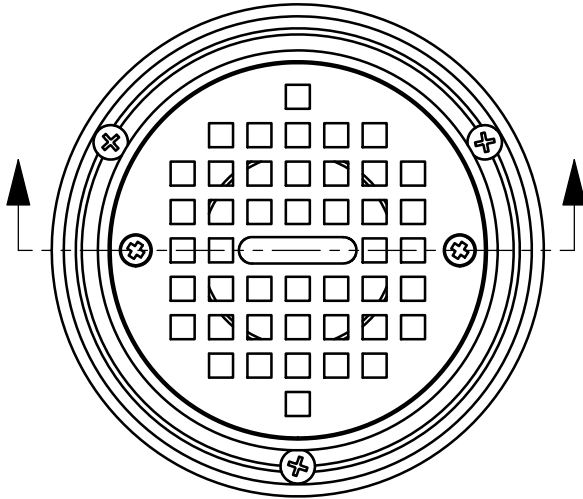
FLOOR DRAIN

PVC

SERIES

FD-210

GRATE FREE AREA: 3.75 in²



MODEL	PIPE SIZE	H
FD-212	2"	2-1/8
FD-213	3"	2-3/4
FD-214	4"	2-3/4

TOP	STRAINER	"A"
ROUND	-4CP	$\phi 4 \frac{3}{16}$ "
SQUARE	-4CP-SQ	4 1/16" SQUARE

WARNING: Cancer and Reproductive Harm - www.P65Warnings.ca.gov

DATE OF LAST CHANGE: 06/26/18

DIMENSIONS ARE SUBJECT TO MANUFACTURERS TOLERANCES AND CHANGE WITHOUT NOTICE. WE CAN ASSUME NO RESPONSIBILITY FOR USE OF SUPERSEDED OR VOID DATA.

JOSAM

MICHIGAN CITY, INDIANA

NOTES