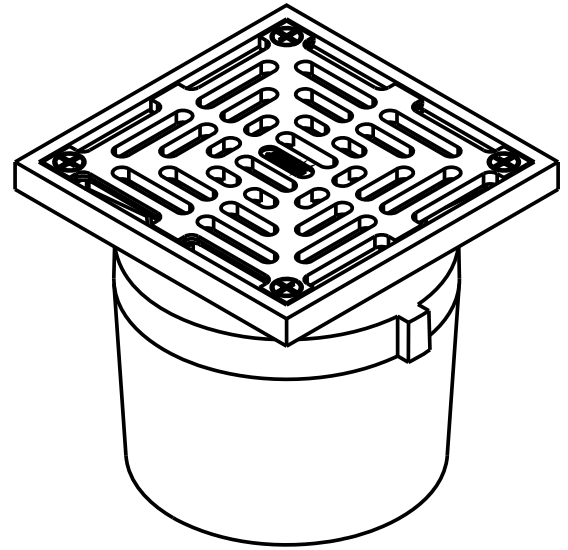


SPECIFICATION:

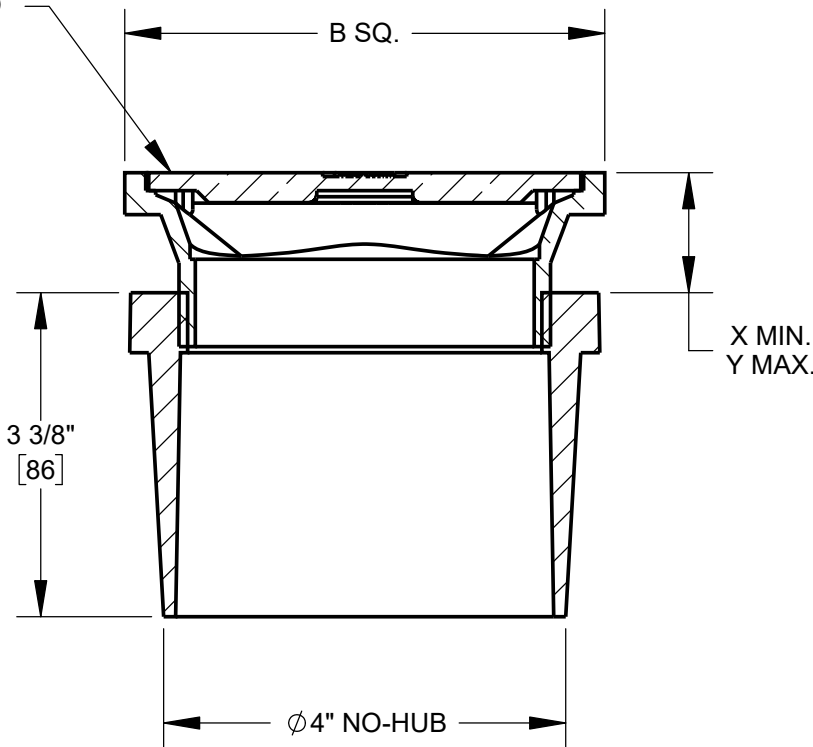
JOSAM SERIES FD-250J-S COATED CAST IRON FLOOR DRAIN WITH JOSAM ADJUSTABLE SQUARE NIKALOY STRAINER.

FLOOR DRAIN
4" NO-HUB
SQUARE ADJUSTABLE STRAINER

SERIES **FD-250J-S**



ADJUSTABLE
 SUPER-FLO
 STRAINER



ADJUSTABLE STRAINERS					
TYPE NO.	B	X	Y	FREE AREA	
5S	5	3/4	1-3/4	9.1	
6S	6	3/4	2	13.8	
8S	8	1	2-1/2	24.5	

-SS	STAINLESS STEEL STRAINER PARTS
-2	SATIN FIN. BRONZE STRAINER PARTS
-80	PERF. STAINLESS STEEL BASKET
-CP	CHROME PLATED STRNR (5S,6S)
-J	BACKWATER VALVE
-VP	SECURED GRATE, VANDAL-PROOF SCREWS
-ARE	ACID-RESISTING EPOXY
-92	GALVANIZED CAST IRON PARTS

WARNING: Cancer and Reproductive Harm - www.P65Warnings.ca.gov

DATE OF LAST CHANGE: 06/26/18

DIMENSIONS ARE SUBJECT TO MANUFACTURERS TOLERANCES AND CHANGE WITHOUT NOTICE. WE CAN ASSUME NO RESPONSIBILITY FOR USE OF SUPERSEDED OR VOID DATA.

JOSAM

MICHIGAN CITY, INDIANA

NOTES