

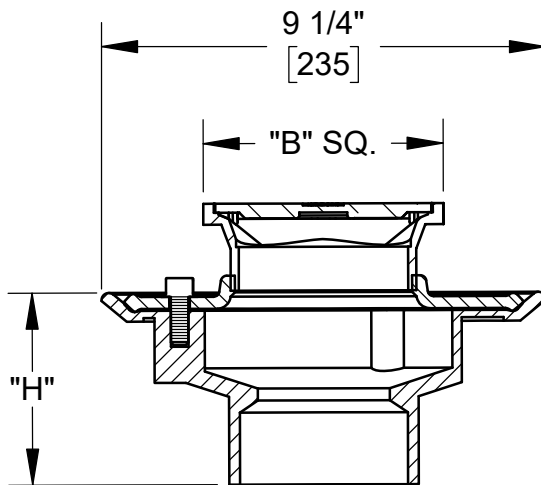
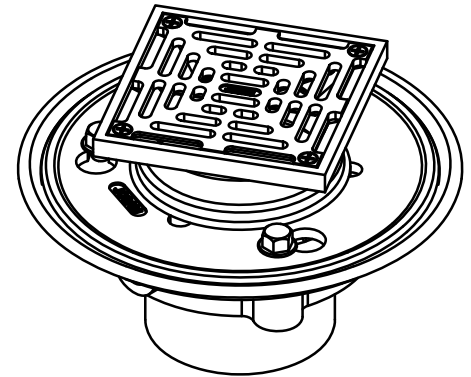
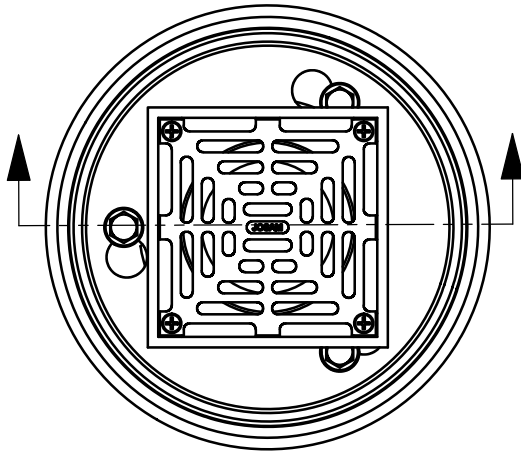
SPECIFICATION:

JOSAM FD-300J-S SERIES FLOOR DRAIN, TWO-PIECE BODY WITH DOUBLE DRAINAGE FLANGE, 1/2" PRIMER TAP WITH PLUG, WEJLOC INVERTIBLE NON-PUNCTURING FLASHING COLLAR WITH WEEPHOLES, SOLVENT-WELD BOTTOM OUTLET FOR SCHEDULE 40 PIPE AND SQUARE SUPER-FLO NIKALOY ADJUSTABLE STRAINER.

FLOOR DRAIN

PVC

SERIES **FD-300J-S**



OPTIONS:

-49	3/4" PRIMER TAP
-2	BRONZE ADJUSTABLE STRAINER
-VP	SECURED GRATE
-CP	5S AND 6S ONLY

STRAINER	B	X	Y	FREE AREA
-5S	5	7/8	1-7/8	9.1
-6S	6	7/8	2-1/4	13.8
-8S	8	1-1/4	2-1/2	24.5

PIPE SIZE	H
2"	3-1/4
3"	4
4"	4

DATE OF LAST CHANGE: 06/26/18

DIMENSIONS ARE SUBJECT TO MANUFACTURERS TOLERANCES AND CHANGE WITHOUT NOTICE. WE CAN ASSUME NO RESPONSIBILITY FOR USE OF SUPERSEDED OR VOID DATA.



MICHIGAN CITY, INDIANA

NOTES