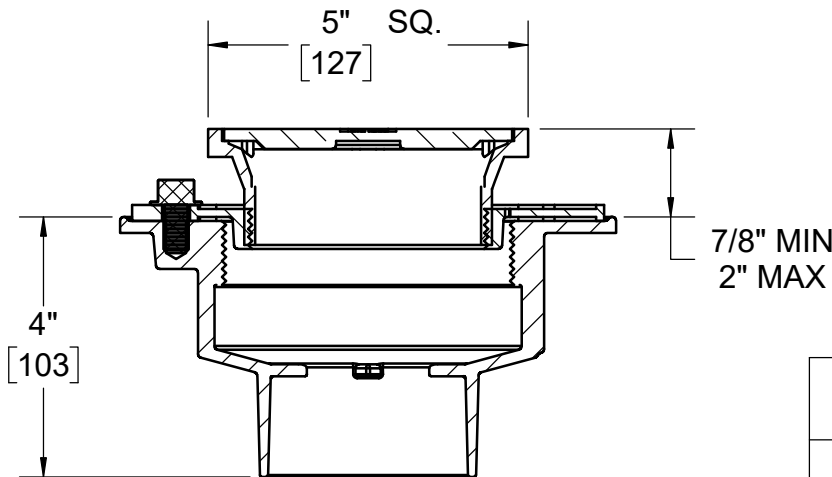
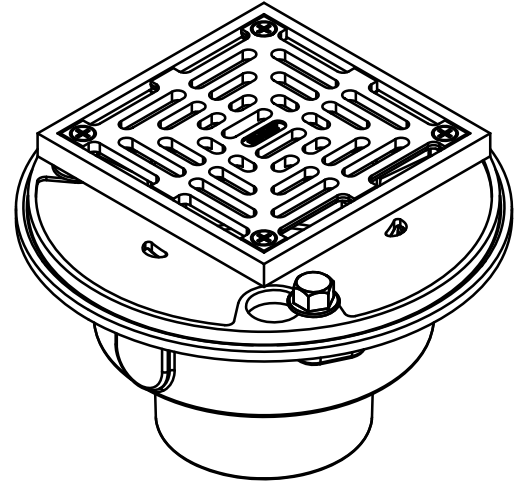
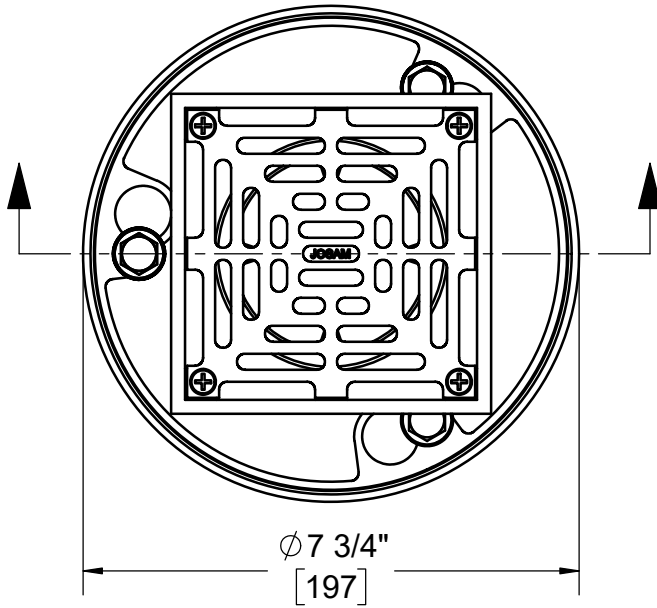


SPECIFICATION:

JOSAM FD-310-SQ SERIES 2-PIECE COATED CAST IRON FLOOR DRAIN, 1/2" PRIMER TAP WITH PLUG, INVERTIBLE CLAMP COLLAR, AND 5" ADJUSTABLE SQUARE NIKALOY STRAINER.

**FLOOR DRAIN
SQUARE 5"**

SERIES **FD-310-SQ**



MODEL	OUTLET SIZE	OUTLET TYPE
FD-312-Z-S	2"	NO-HUB
FD-312-Y-S	2"	HUB
FD-313-Z-S	3"	NO-HUB
FD-313-Y-S	3"	HUB
FD-314-Z-S	4"	NO-HUB

OPTIONS:

-VP	SECURED GRATE, VANDAL PROOF SCREWS
-80	PERFORATED STAINLESS STEEL BASKET

WARNING: Cancer and Reproductive Harm - www.P65Warnings.ca.gov

DATE OF LAST CHANGE: 06/27/18

DIMENSIONS ARE SUBJECT TO MANUFACTURERS TOLERANCES AND CHANGE WITHOUT NOTICE. WE CAN ASSUME NO RESPONSIBILITY FOR USE OF SUPERSEDED OR VOID DATA.

JOSAM

MICHIGAN CITY, INDIANA

NOTES