

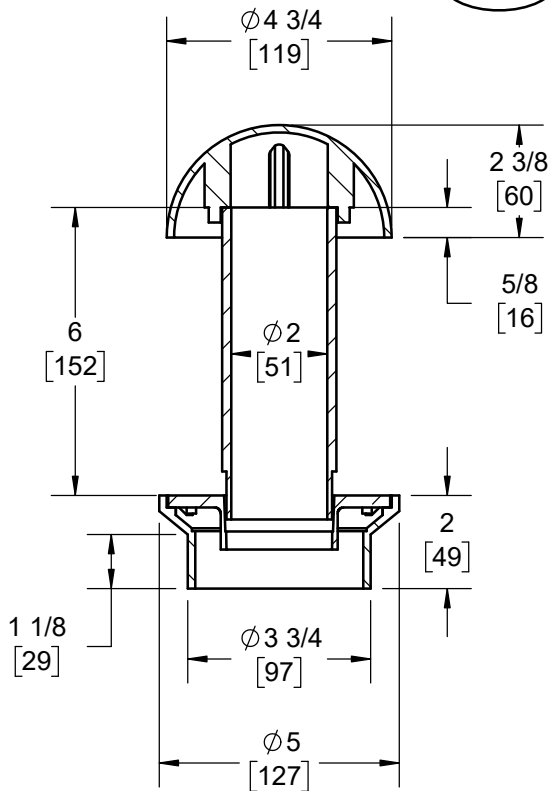
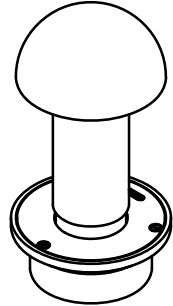
SPECIFICATION:

JOSAM SERIES M CHROME-PLATED 6" HIGH STANDPIPE WITH DOME
 THREADED INTO SATIN NIKALOY ADJUSTABLE COLLAR, THREADED
 WITH JOSAM ADJUSTABLE STRAINER THREAD.

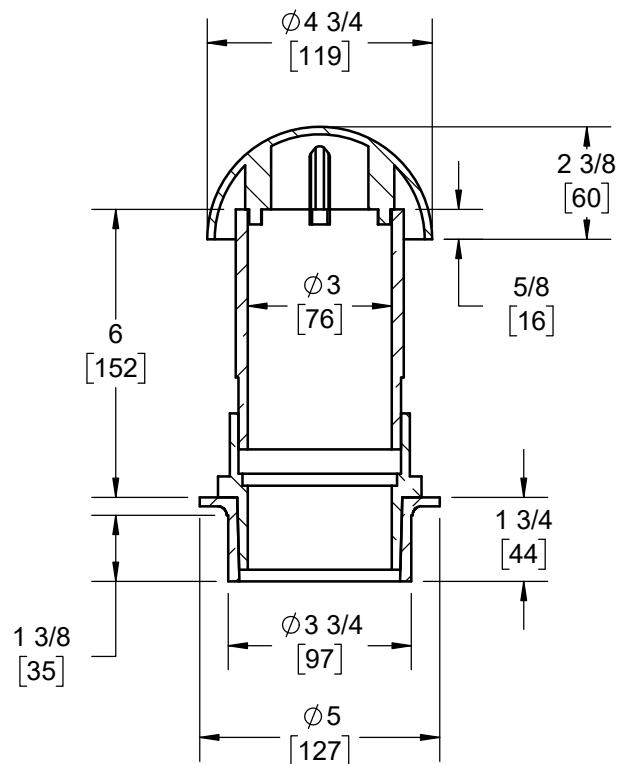
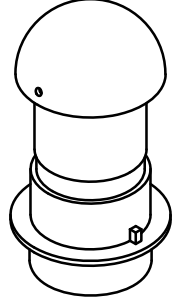
**FLOOR DRAIN
 ADJUSTABLE STANDPIPE**

SERIES **M**

□ **2M**



□ **3M**



-2	BRONZE ADJUSTABLE STRAINER
-24	LESS DOME
-PF	PERFORATED STANDPIPE

WARNING: Cancer and Reproductive Harm - www.P65Warnings.ca.gov

DATE OF LAST CHANGE: 07/11/18

DIMENSIONS ARE SUBJECT TO MANUFACTURERS
 TOLERANCES AND CHANGE WITHOUT NOTICE.
 WE CAN ASSUME NO RESPONSIBILITY FOR
 USE OF SUPERSEDED OR VOID DATA.



MICHIGAN CITY, INDIANA

NOTES